

Notated dimensions and/or levels to be used only. All dimensions and/or levels must be site checked by the Contractor prior to commencing any construction work. Any discrepancies must be reported to the Engineer. No assumptions are to be made regarding this drawing.

IMPORTANT : DO NOT SCALE FROM THIS DRAWING
This drawing is the copyright of FLN Consulting Engineers and must not be copied or reproduced without prior permission.

NOTES

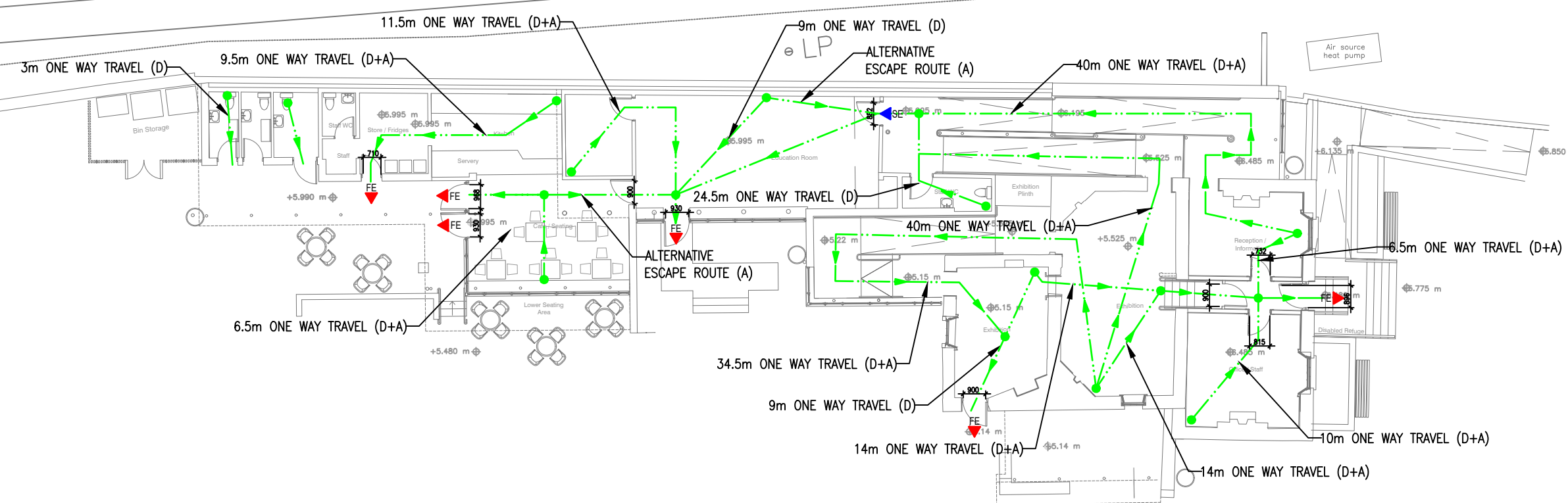
- Notes and Legend For Drawings Are On Drawing No. F[58]-010.

CHAPELIZOD ROAD

BUS

RG

MH 6.58



P2	ADC	DGA	03/11/21	MODIFIED TO REFLECT NEW LAYOUT.
ref	by	chk	date	revision

Second Floor
13 South Leinster Street
Dublin 2
Ireland
t: +353 (0)1 678 7832
www.flnconsult.com
info@flnconsult.com

GLASGOW • DUBLIN • AYR • INVERNESS

Drg Status **PRELIMINARY**

Architect **BLACKWOOD ASSOCIATES**

Contract **COIS ABHANN LIFFEY VALE BIODIVERSITY CENTRE**

Title **FIRE SAFETY CERTIFICATE APPLICATION GROUND FLOOR TRAVEL DISTANCES & ESCAPE WIDTHS**

Drn	Date	Chk	Date
ADC	SEPT 2020	DGA	
Scale	(or as shown)		Current Rev
1:200 @ A3			P2

JOB No. 3365

DRG. No. F[58]-101