

PLANTROOM EQUIPMENT

Mark	Comments	Manufacturer	Description
DHWC	TFA 500 LITRE GLASS LINED STEEL DOMESTIC HOT WATER STORAGE TANK c/w INSULATION JACKET, ANODE PROTECTION, ALL NECESSARY MOUNTINGS	HIDROS	
EV01	HEATING EXPANSION VESSEL		
EV02	DOMESTIC WATER EXPANSION VESSEL		
P01	TWIN HEAD ELECTRONIC HIGH EFFICIENCY EMC PUMP	Yonos PN6/10	
P02	TWIN HEAD ELECTRONIC HIGH EFFICIENCY EMC PUMP		
P03	HIGH EFFICIENCY DHWS PUMP		
P04	SINGLE BRONZE ELECTRONIC HIGH EFFICIENCY DHWS PUMP		
PHE	PLATE HEAT EXCHANGER TO TRANSFER 42kW FROM PRIMARY AT 65/60 F&R TO SECONDARY AT 55/60 F&R AND INCLUDING MOUNTING FRAME	HASL	
PU	DEGASSER AND REFILL UNIT AS FLAMCO FLEXFILLER MIDI PLUS OR EQUAL BY SPIROTECH	Flamco	
THS01	TFF 1000 LITRE THERMAL STORE WITH MULTIPLE CONNECTION PORTS, SENSOR PORTS, INSULATION JACKET AND ALL NECESSARY MOUNTINGS		

Notated dimensions and/or levels to be used only. All dimensions and/or levels must be site checked by the Contractor prior to commencing any construction work. Any discrepancies must be reported to the Engineer. No assumptions are to be made regarding this drawing.

IMPORTANT : DO NOT SCALE FROM THIS DRAWING

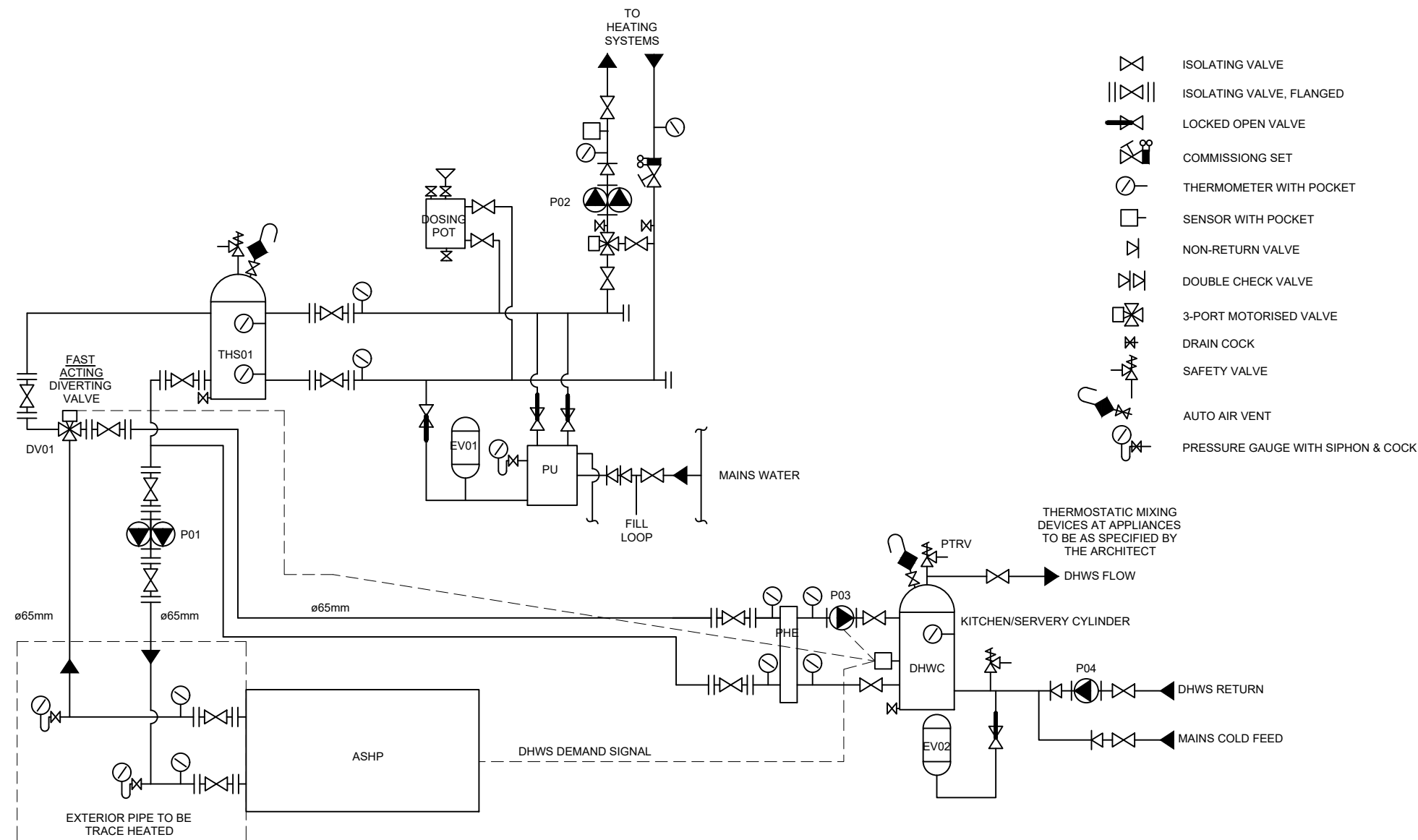
This drawing is the copyright of FLN Consulting Engineers and must not be copied or reproduced without prior permission.

NOTE

SUMMARY:

- WATER SERVICES COPPER PIPE, PRESS-FIT FITTINGS
- HEATING STEEL PIPE, MEDIUM GRADE, THREADED
- INSULATED THROUGHOUT
- WATER SERVICES DISINFECTED
- HEATING DOSED WITH CORROSION INHIBITOR
- ISOLATING VALVES TO BE LEVER ACTION FULL BORE TYPE (DZR ON WATER SERVICES) (BUTTERFLY VALVES ABOVE 50mm)

REFER TO SPECIFICATION AND BoQ FOR ALL DETAILS OF EQUIPMENT, MATERIALS AND WORKMANSHIP.



ref	by	chk	date	revision
-----	----	-----	------	----------


FLN
 CONSULTING ENGINEERS
 Second Floor
 13 South Leinster Street
 Dublin 2
 Ireland
 t: +353 (0)1 678 7832
 www.flnconsult.com
 info@flnconsult.com

GLASGOW • DUBLIN • AYR • INVERNESS

Drg Status **PRELIMINARY**

Architect **BLACKWOOD ASSOCIATES**

Contract **COIS ABHANN LIFFEY VALE BIODIVERSITY CENTRE**

Title **HEATING SCHEMATIC**

Drn	Date	Chk	Date
ADC	FEB 2021	DGA	

Scale (or as shown) **NTS** Current Rev **P1**

JOB No. **3365**

DRG. No. **M[56]-001**