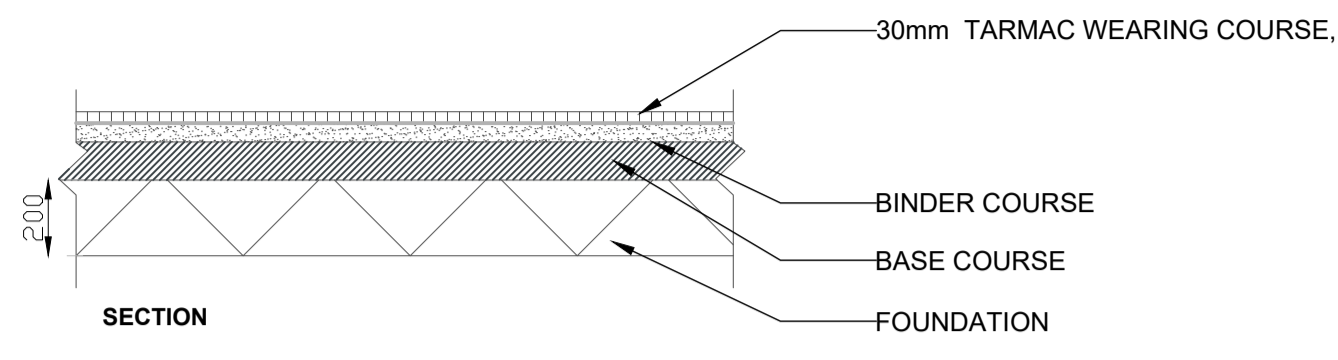
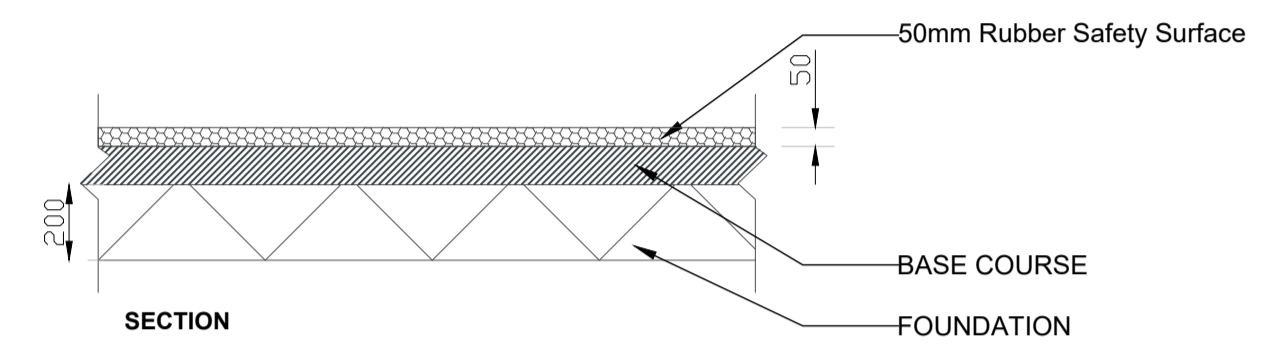


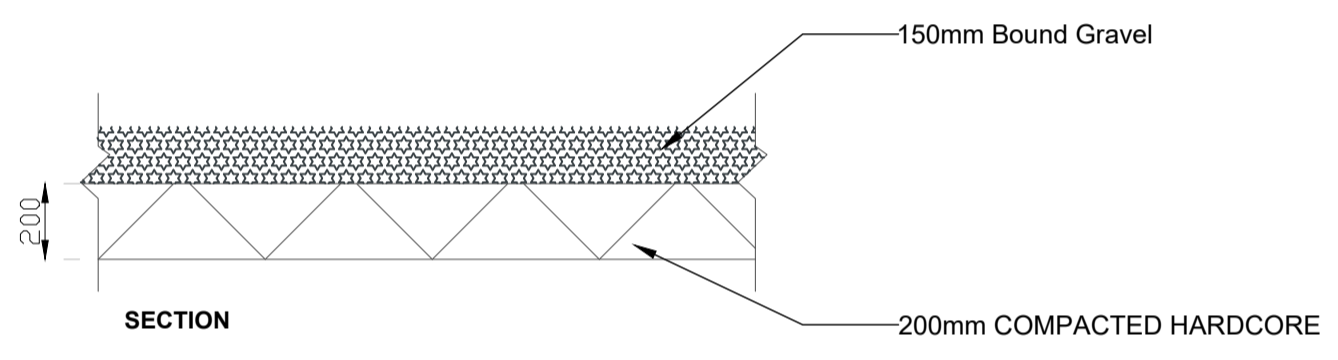
NOTES:
 This drawing is the copyright of Dublin City Council. It must not be copied or reproduced without written consent. Only figured dimensions are to be taken from this drawing. All contractors must visit the site and be responsible for taking and checking all dimensions related to the works shown on this drawing.



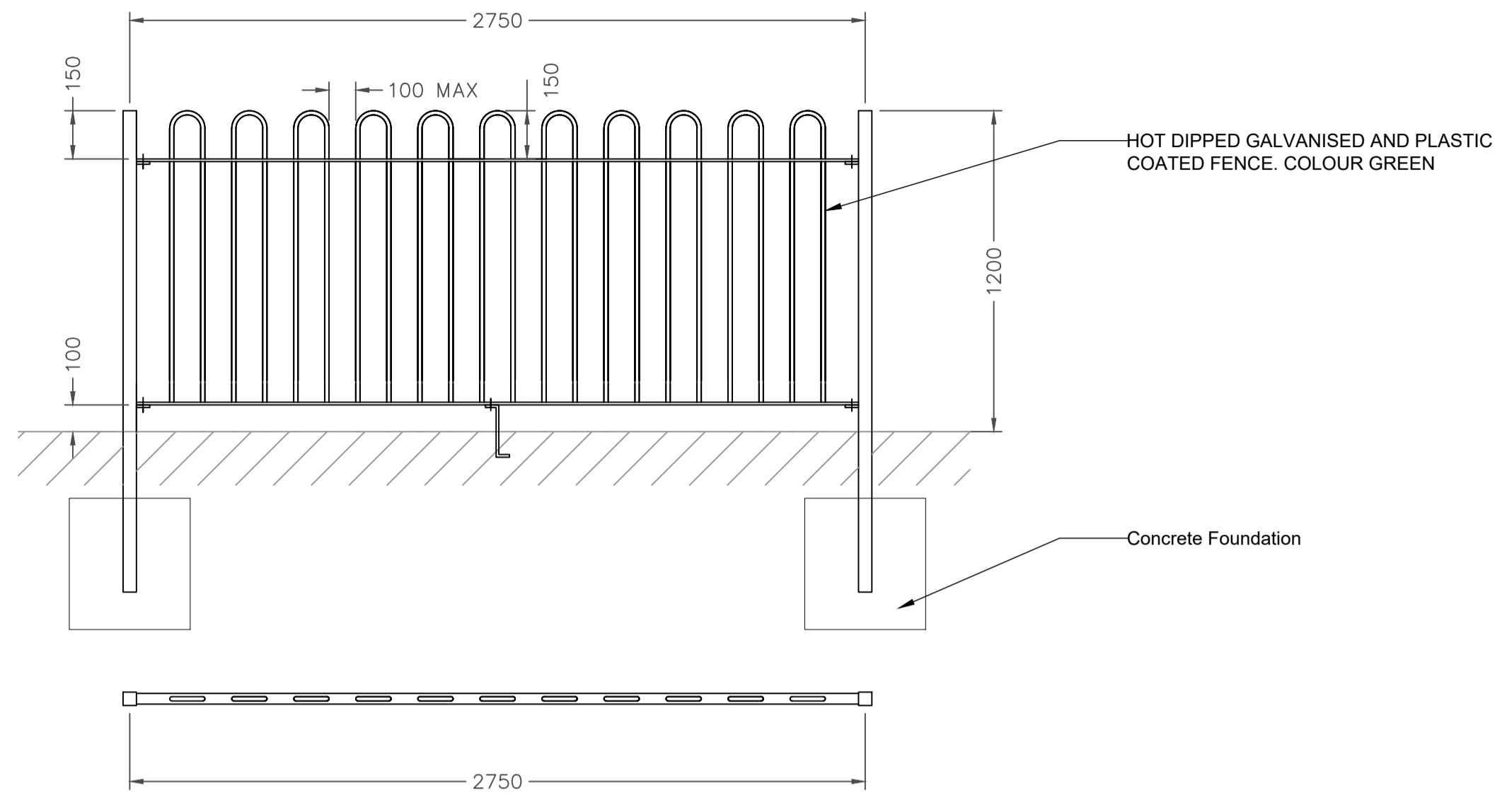
01 TARMAC DETAIL
 SCALE: 1:20 @A1



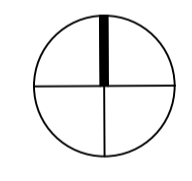
02 SAFETY SURFACE DETAIL
 SCALE: 1:20 @A1



04 SELF BOUND GRAVEL / BOULES PITCH
 SCALE: 1:20 @A1



03 BOW TOP FENCE DETAIL
 SCALE: 1:20 @A1



**Greening
 The City**
 Parks & Landscape Services

Comhairle Cathrach
 Bhaile Átha Cliath
Dublin City Council

PROJECT		Kildonan Park	
SUBJECT		DETAILS SHEET 3	
DATE	23 Mar 2021	DRAWN BY	EO'G
SCALE	AS @ A1	CHECKED BY	PL
DRAWING NUMBER	603080-LA-DL-302	REVISION	-
Project Number	603080	Status	B
A - PRELIMINARY	B - ISSUED FOR PLANNING	C - ISSUED FOR DESIGN INFORMATION	D - ISSUED FOR TENDER
E - ISSUED FOR APPROVAL	F - ISSUED FOR CONSTRUCTION	G - AS BUILT	