

NO PART OF THIS DRAWING MAY BE REPRODUCED OR TRANSMITTED IN ANY FORM OR STORED IN ANY RETRIEVAL SYSTEM OF ANY NATURE WITHOUT THE WRITTEN PERMISSION OF MALONE O'REGAN CONSULTING ENGINEERS AS COPYRIGHT HOLDER EXCEPT AS AGREED FOR USE ON THE PROJECT FOR WHICH THE DRAWING WAS ORIGINALLY CREATED.

THIS DRAWING TO BE READ IN CONJUNCTION WITH ALL OTHER RELEVANT DRAWINGS, SPECIFICATIONS AND THE PRELIMINARY HEALTH & SAFETY PLAN.

ALL DIMENSIONS ARE IN MM UNLESS NOTED OTHERWISE. DO NOT SCALE DIMENSIONS.

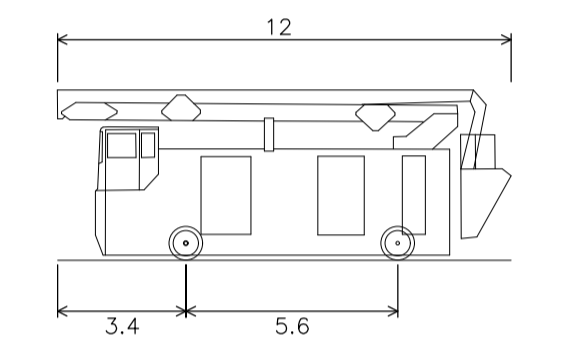
THE CONTRACTOR SHALL CHECK ALL DIMENSIONS PRIOR TO THE COMMENCEMENT OF CONSTRUCTION. ALL DISCREPANCIES SHALL BE REPORTED TO THIS OFFICE IN WRITING.

NOTES

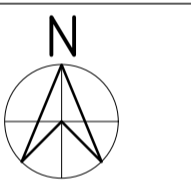
BY	DRAWING No. & REFERENCE	DATE
SURVEY		
ARCH	SHB5-BMD-DR-MOR-AR-P3-1004	17.10.2024
S. Arch	SHB5-BMD-DR-MAL-L-PT-0001	17.10.2024

VEHICLE SWEEP PATH LEGEND	
	SATISFACTORY: SWEEP PATH WORKS WITH CURRENT LAYOUT
	FEASIBLE: SLIGHT DIFFICULTIES BUT SWEEP PATH COULD WORKS WITH MINOR LAYOUT MODIFICATIONS
	NOT ACCEPTABLE: SWEEP PATH NOT POSSIBLE WITH LAYOUT AND SIGNIFICANT ALTERATION REQUIRED
	SOLID HATCH INDICATES FORWARD MOTION OF THE VEHICLE
	LINED HATCH INDICATES REVERSE MOTION OF THE VEHICLE

\*N.B. COLOUR OF SOLID/LINED HATCHES IN LEGEND TO MATCH RELEVANT COLOUR OF THE AUTO-TRACK IN THE DRAWING (i.e. IF SWEEP PATH IS A SATISFACTORY GREEN THEN SOLID HATCHES BE SHOWN AS ABOVE)



AERIAL PLATFORM/ TURNTABLE LADDER/ SPECIAL APPLIANCE	
OVERALL LENGTH	12.000M
OVERALL WIDTH - OVERALL	2.550M
BODY HEIGHT	4.500M
MIN. BODY GROUND CLEARANCE	0.130M
TRACK WIDTH	2.550M
LOCK-TO-LOCK TIME	4.00S
CURB TO CURB TURNING RADIUS	13.750M



SWEPT PATH ENTERING  
SCALE 1:500

SWEPT PATH EXITING  
SCALE 1:500

1	ISSUED FOR PLANNING	21.10.24	KD	KA
0	ISSUED FOR INFORMATION	19.07.24	KD	FM
REV	DESCRIPTION	DATE	BY	CHK

STATUS: P3 - PLANNING

**MDR**  
MALONE O'REGAN  
CONSULTING ENGINEERS

Unit 2B Richview Office Park,  
Clonskeagh,  
DUBLIN 14  
D14 XT57

T: +353 1 260 2655  
E: dublin@mor.ie  
W: www.maloneoregan.ie

Offices also in:  
GALWAY T: +353 91 531 069 E: galway@mor.ie  
WATERFORD T: +353 51 876 855 E: waterford@mor.ie

CLIENT: NDFA ON BEHALF OF DUBLIN CITY COUNCIL

JOB NAME: SHB5 BMD, BALLYMUN, DUBLIN 11

DRG. NAME: SWEEP PATH ANALYSIS  
AERIAL PLATFORM SPECIAL APPLIANCE

JOB REF	SHEET	SCALE	DATE	BY	ENG	APP	REV.
23006	A1	1:500	SEPT'2023	JC	PB	PB	1

DRG. NO.: SHB5-BMD-DR-MOR-CS-P3-112