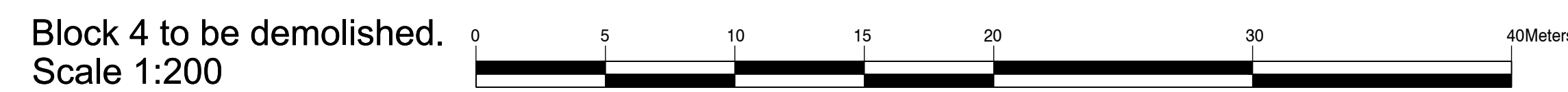
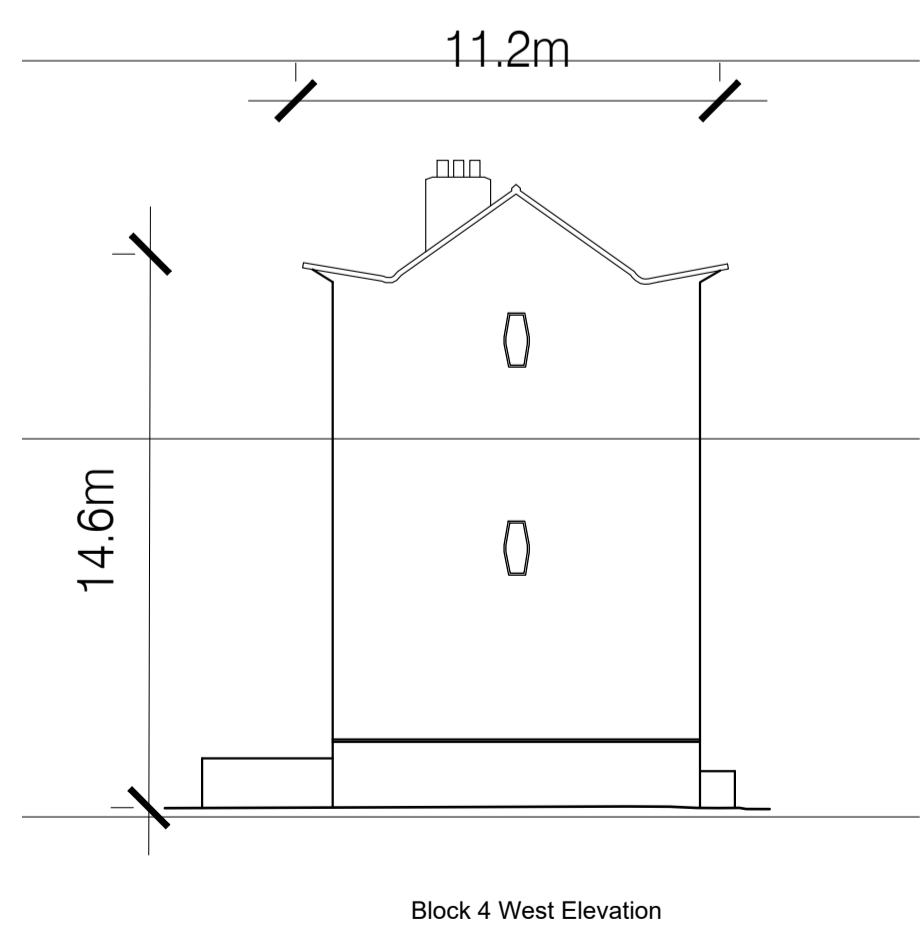
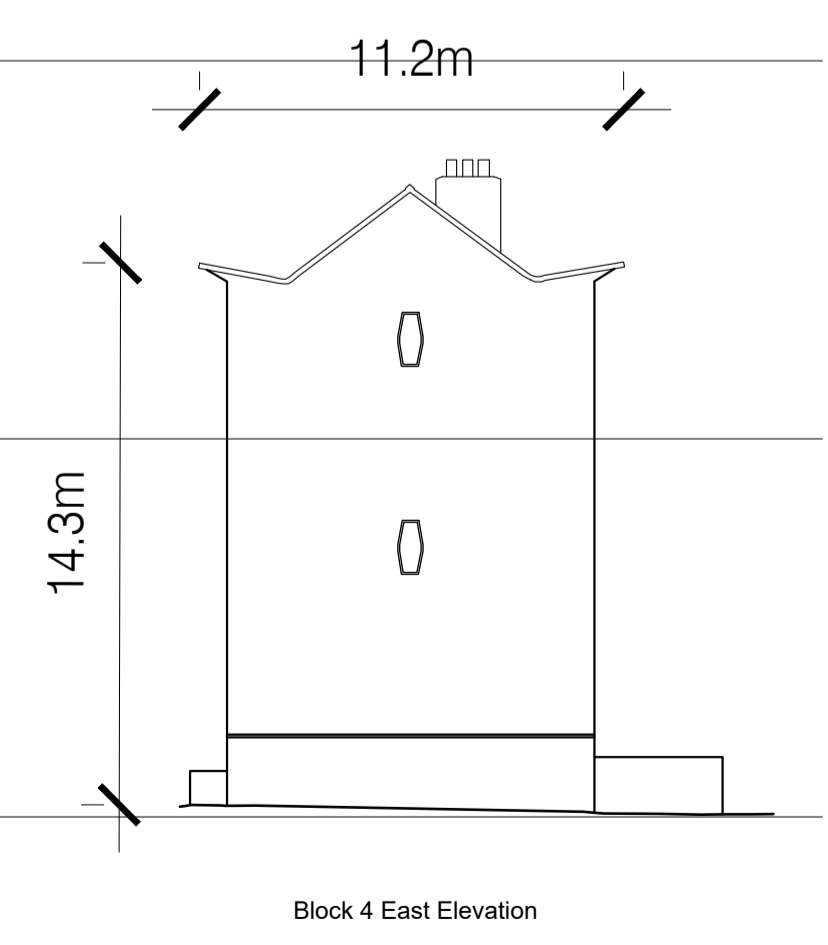
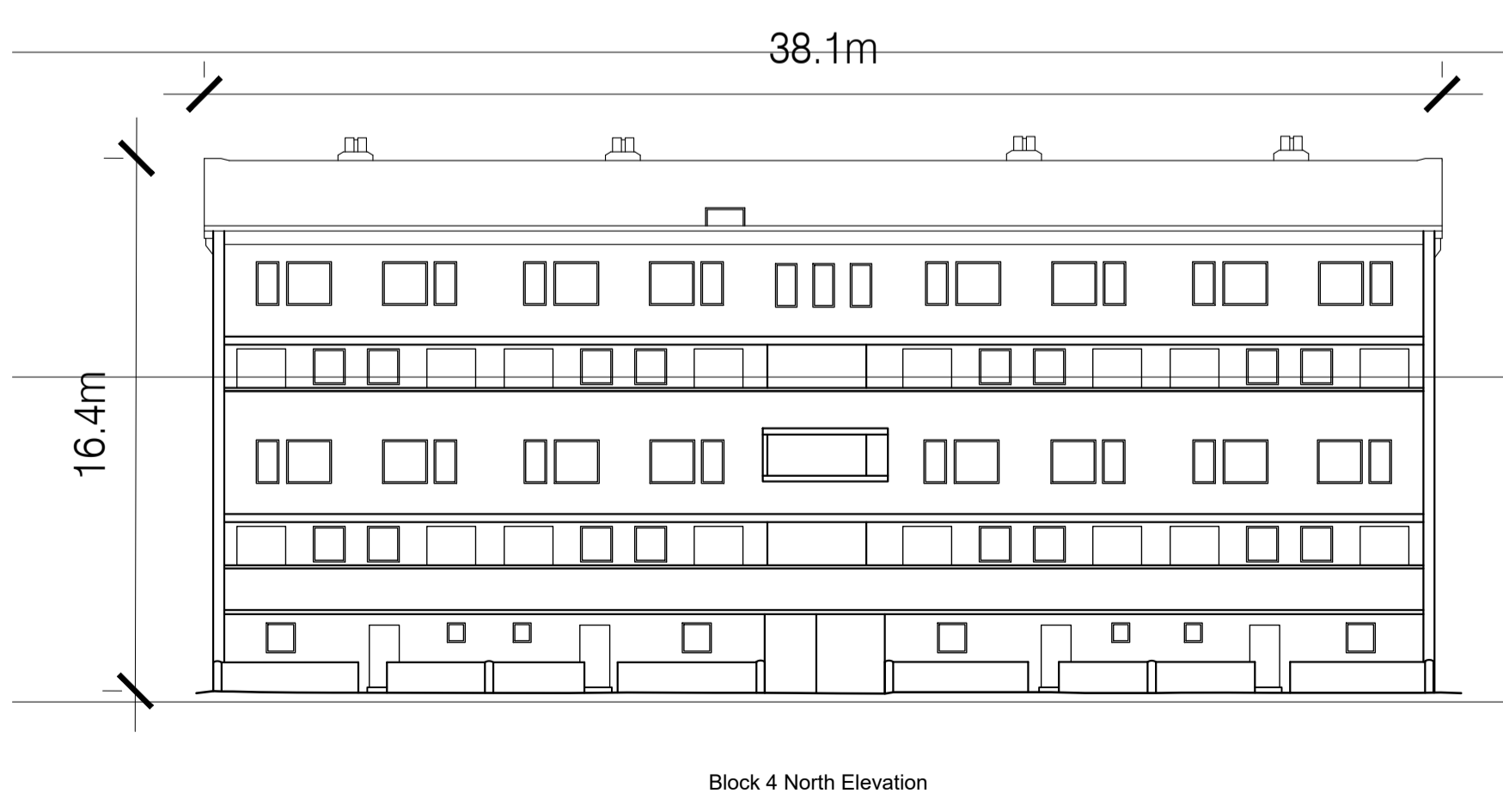
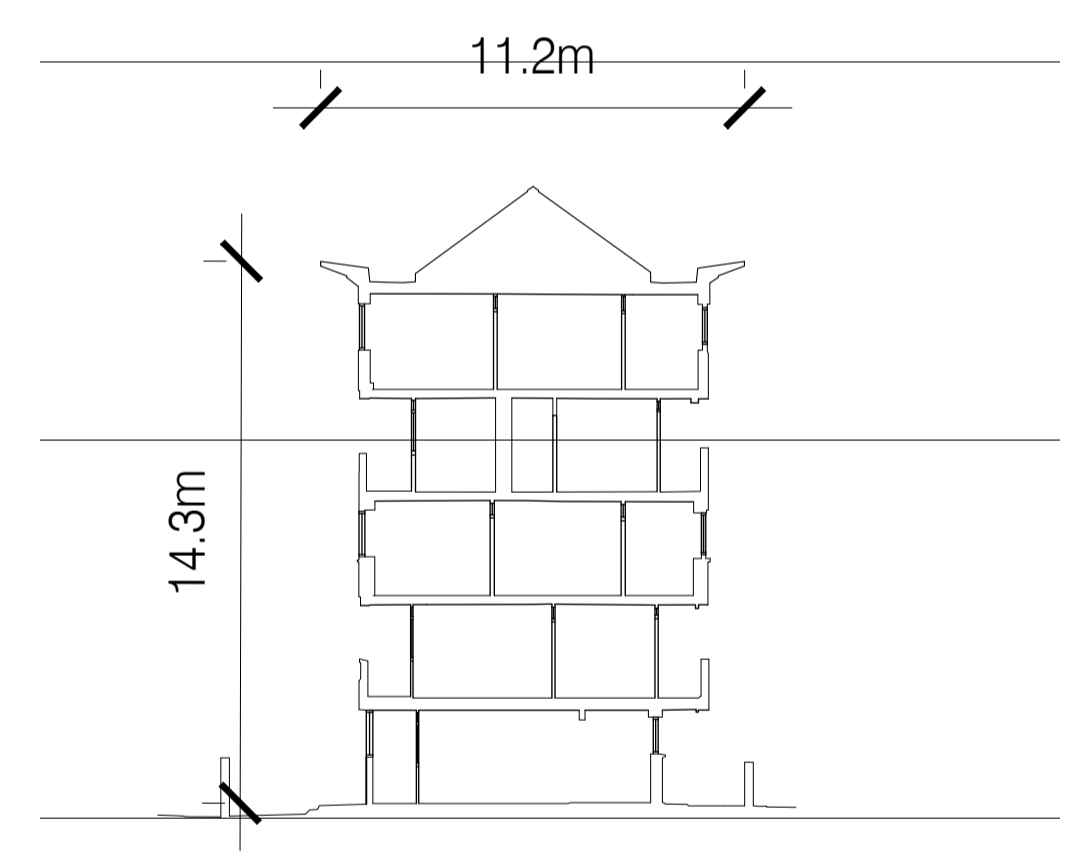
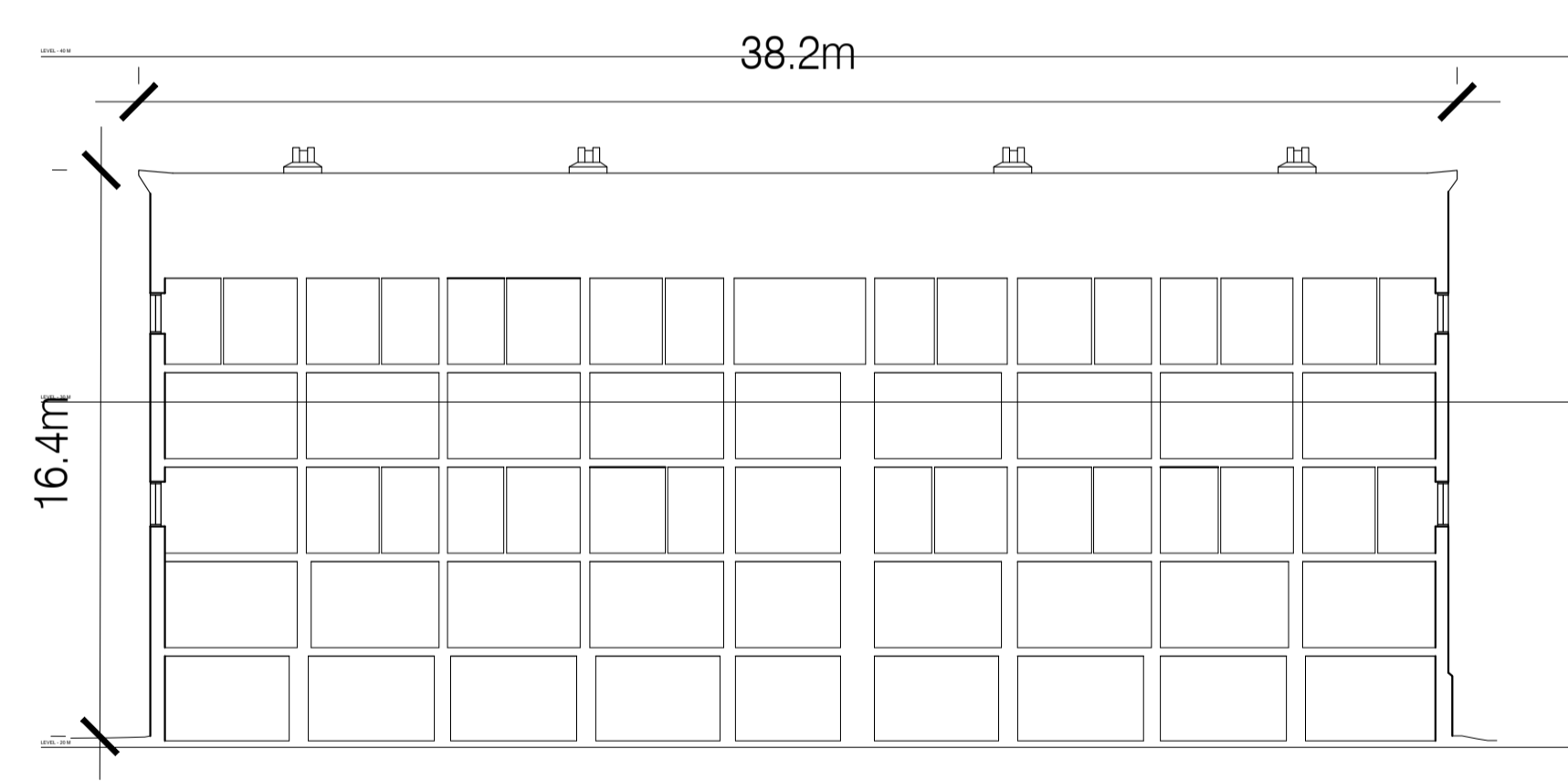
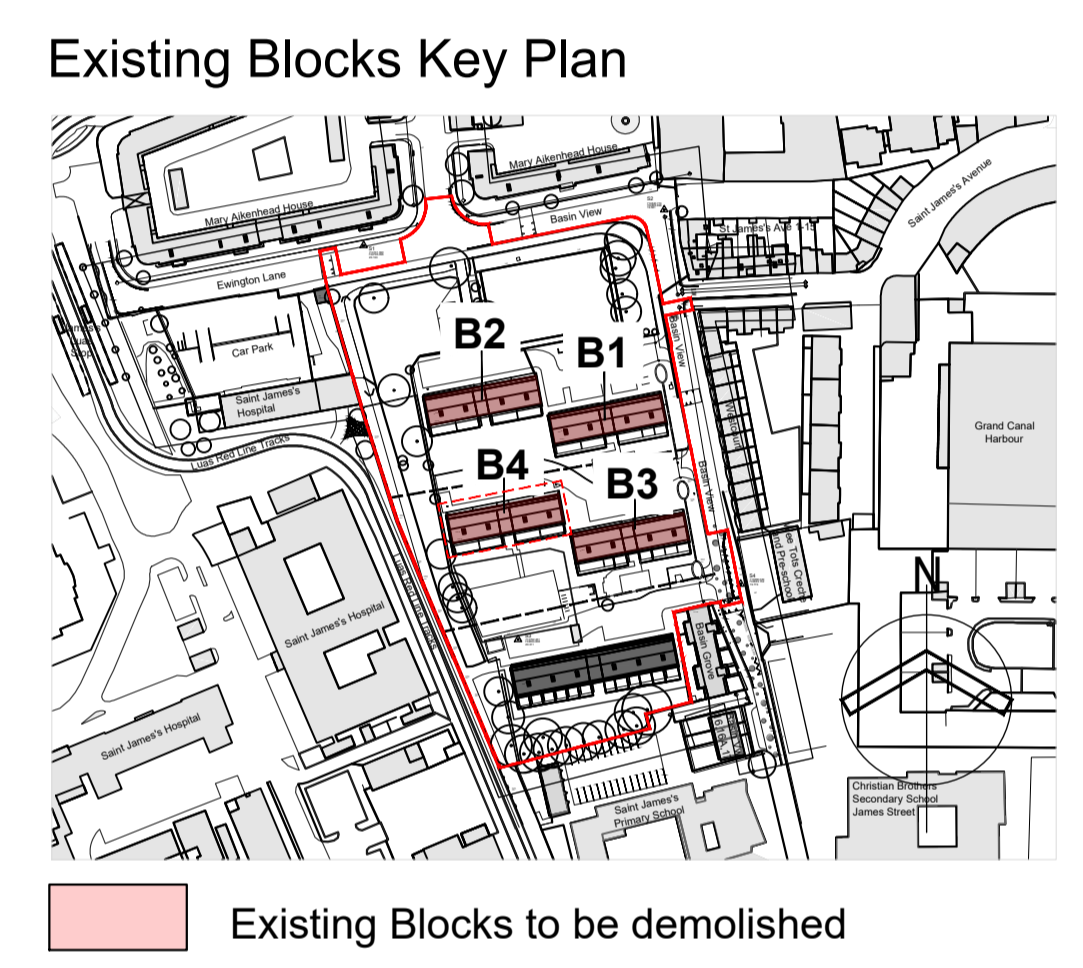
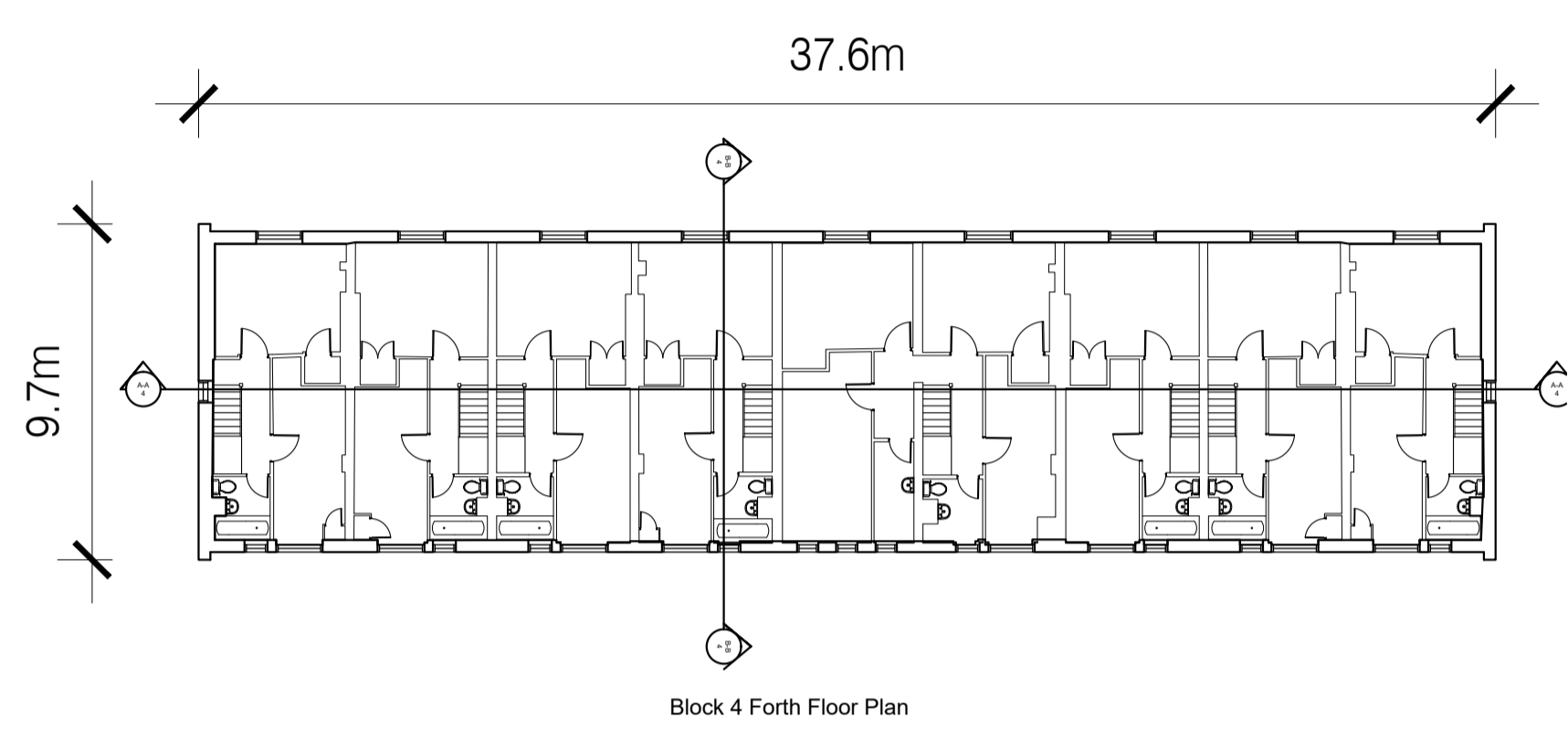
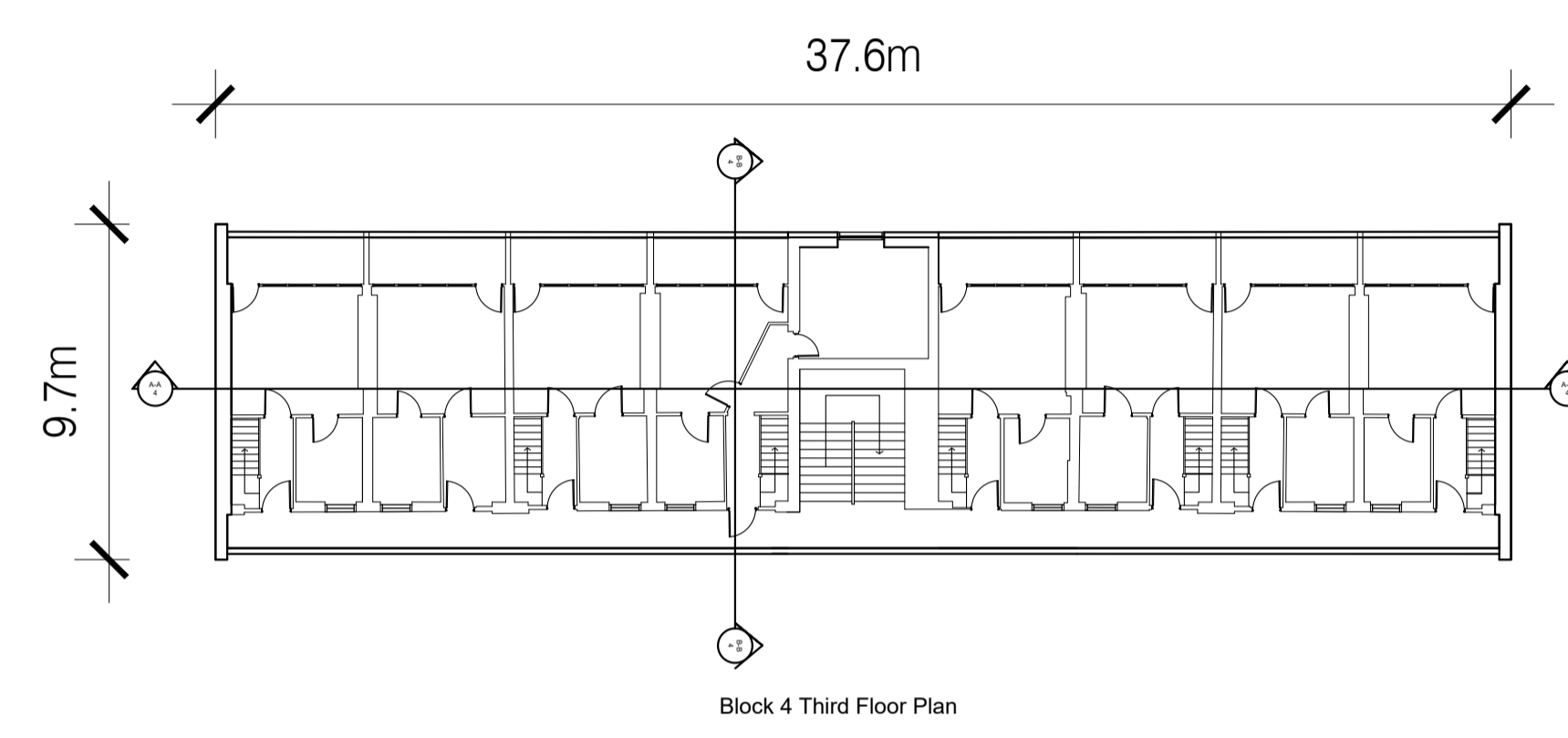
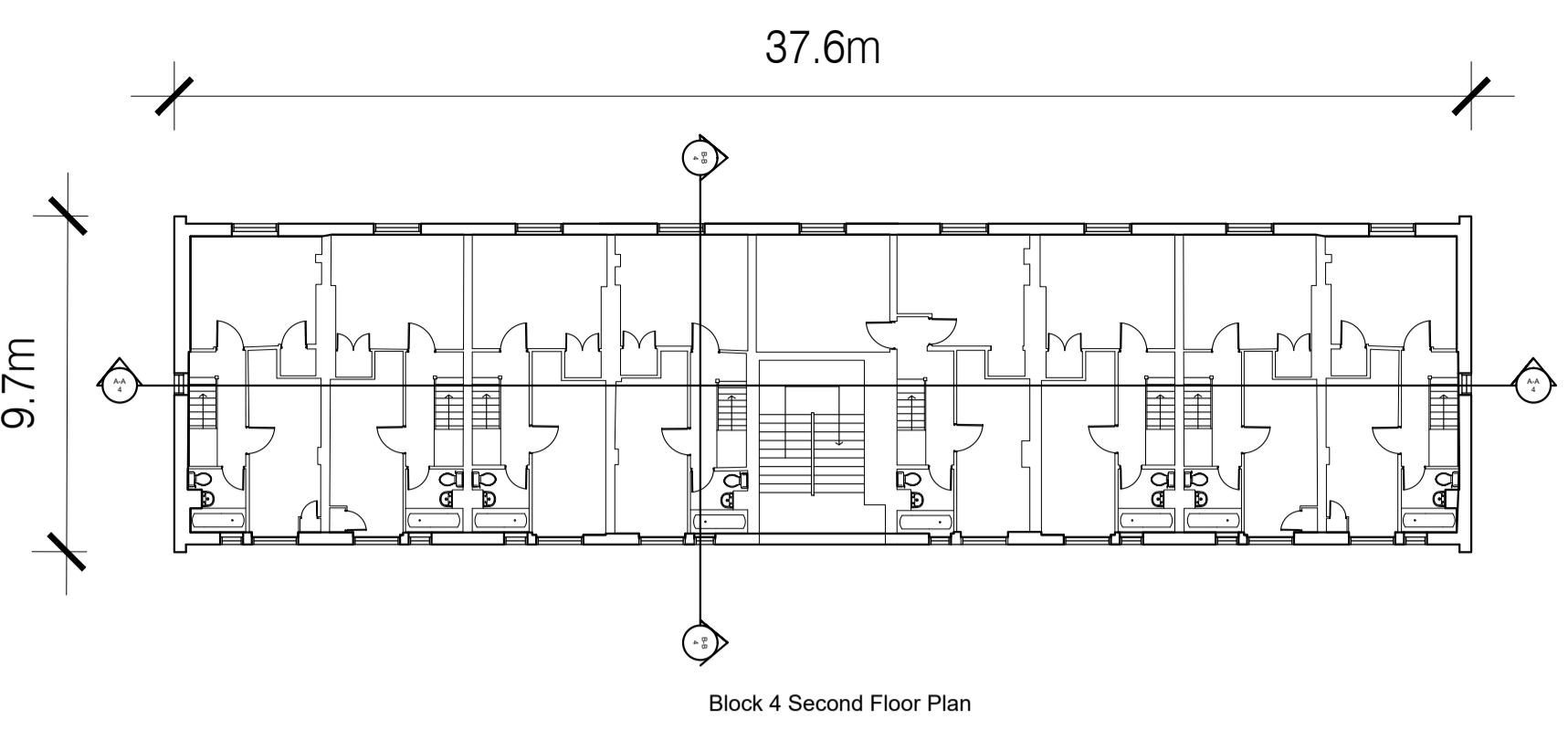
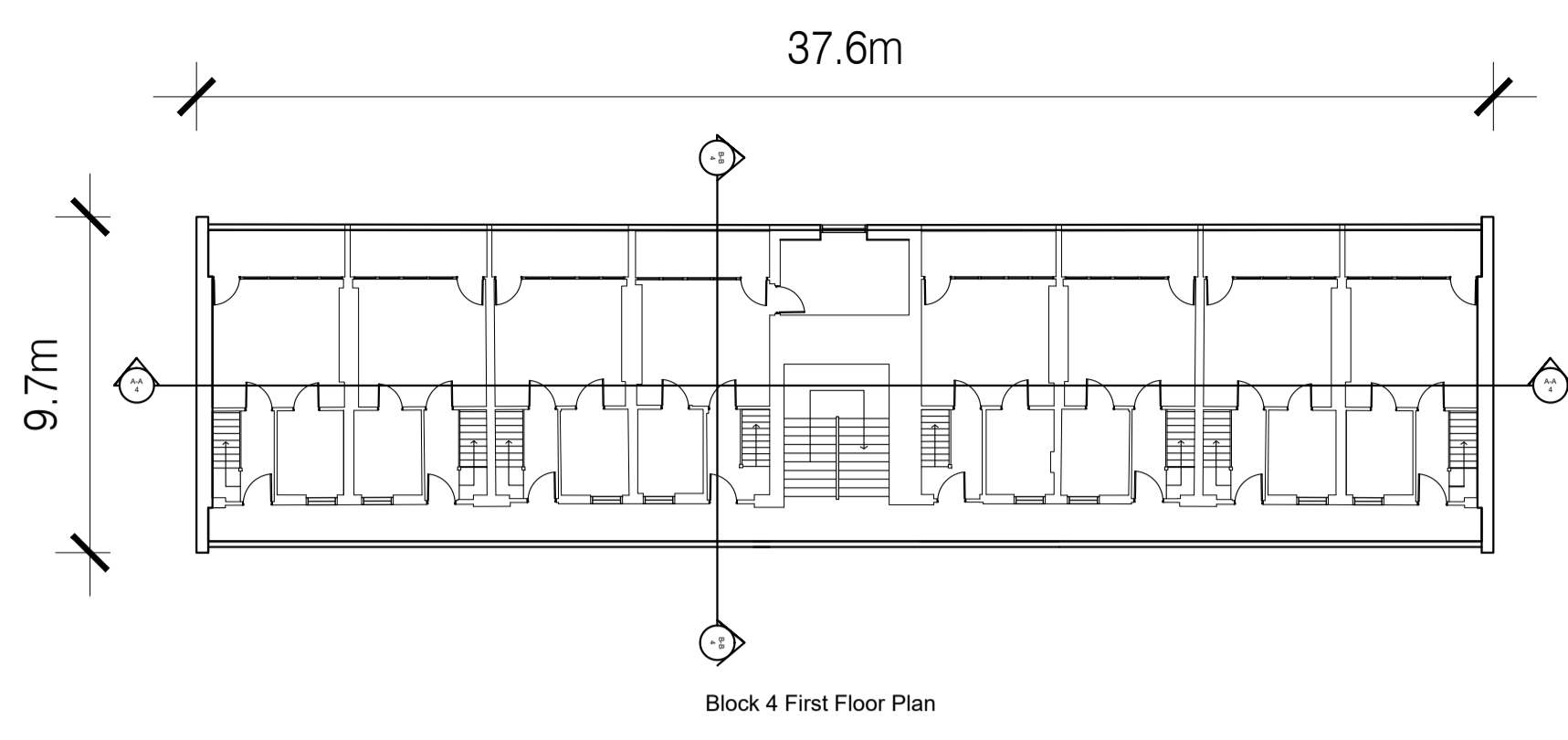
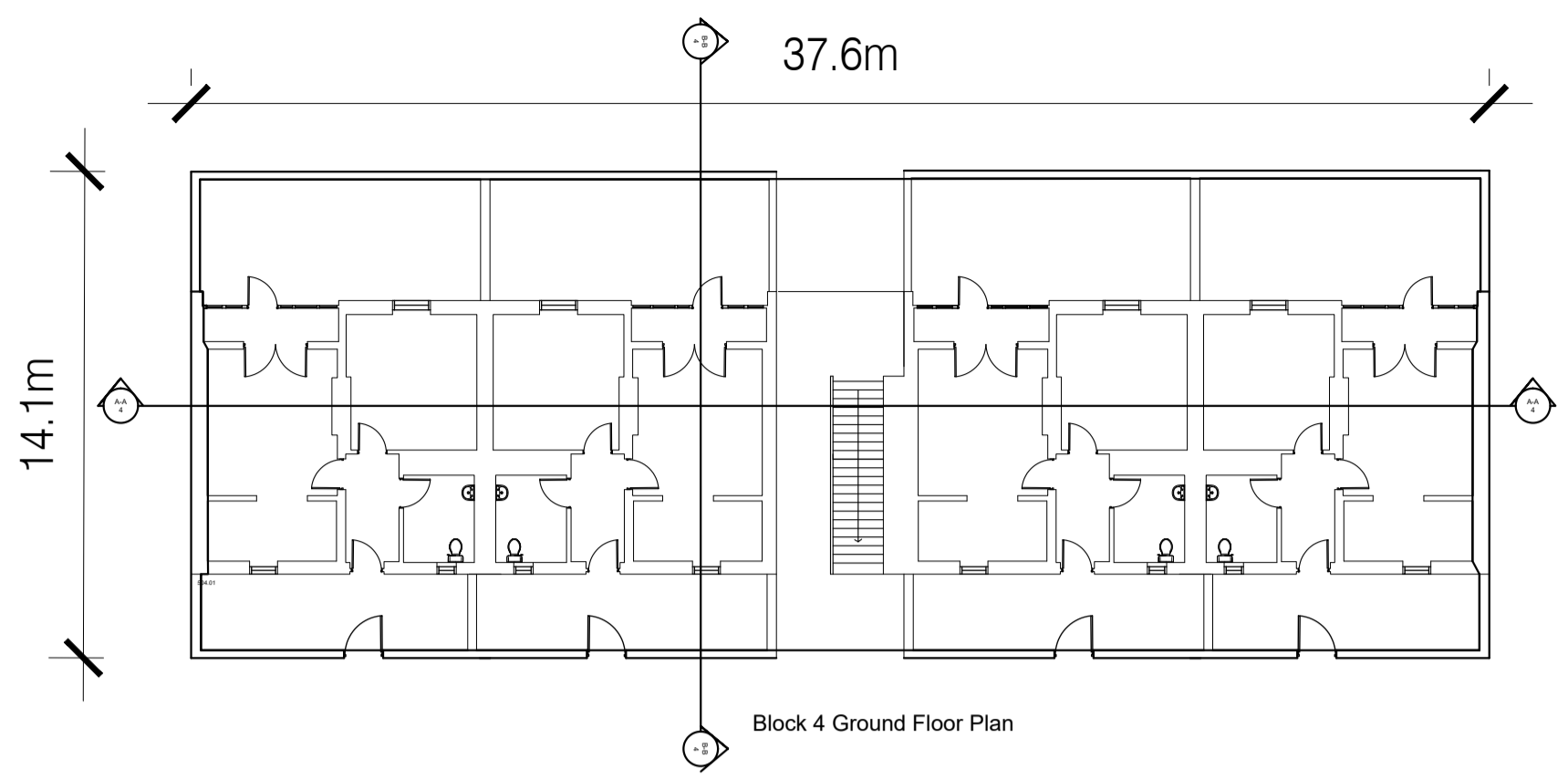


Notes:
 Do not scale from this drawing.
 Use figured dimensions only.
 All errors and omissions to be reported to the Architect.
 This drawing to be read in conjunction with relevant consultant's drawings.
 All dimensions are in millimetres and all levels are in meters to match Datum unless otherwise noted.
 Contractor Design responsibility
 It is noted that there are many elements within the works that require contractor design, and will be subject to certification as part of DCAR - see Preliminary Inspection Plan for clarity on certification required.
 © This drawing or design may not be reproduced without permission.



Revisions:

Rev	Description	Date	By
02	Part 8 Planning Submission	02-10-2024	JD
01	Pre-Part 8 Submission	12-06-2024	JD

Project:
PPP SHB 5 - Basin View Flats

Client:
National Development Finance Agency and Dublin City Council

Title:
Existing Block 4

Drawing / Document Name:
 Project Number: **2771** | Project Site Type: **SHB5-BVF-DR-COA-AR-P3** | Status: **5610**

Suitability Status: Code - Description | Revision:
P3 For Planning | **02**

Scale @ A1 | Drawn: **Jessica Doherty** | Checked: **Natalia Bralkowska** | Date: **02-10-2024**

COADY
 ARCHITECTS

M1 Pleasant Business Ctr., Ranelagh, Dublin 6 D06X7P8
 Unit 8A, Gran Point, Main St, Cranmore, Co. Galway H91 Y36X