

NO PART OF THIS DRAWING MAY BE REPRODUCED OR TRANSMITTED IN ANY FORM OR STORED IN ANY RETRIEVAL SYSTEM OF ANY NATURE WITHOUT THE WRITTEN PERMISSION OF MALONE O'REGAN CONSULTING ENGINEERS AS COPYRIGHT HOLDER EXCEPT AS AGREED FOR USE ON THE PROJECT FOR WHICH THE DRAWING WAS ORIGINALLY CREATED.

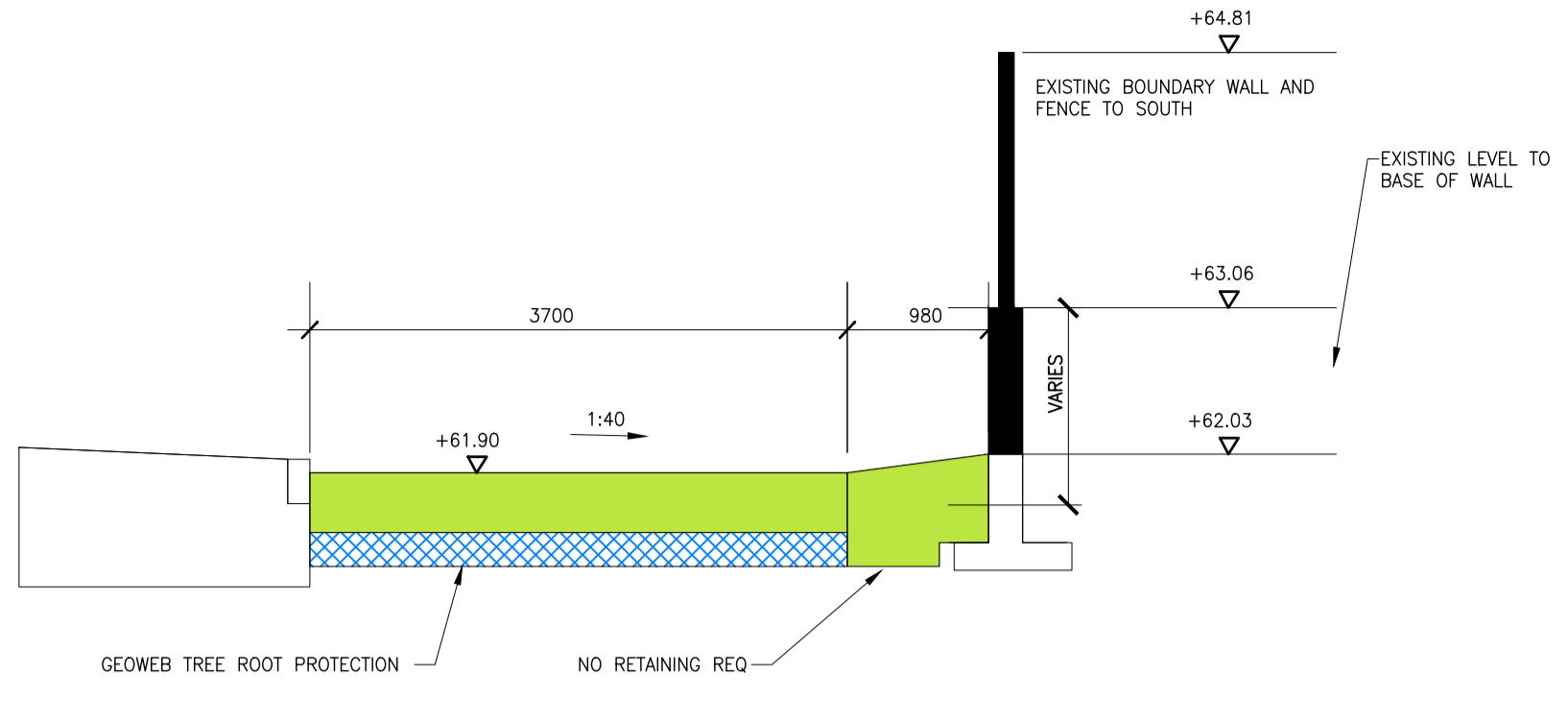
THIS DRAWING TO BE READ IN CONJUNCTION WITH ALL OTHER RELEVANT DRAWINGS, SPECIFICATIONS AND THE PRELIMINARY HEALTH & SAFETY PLAN.

ALL DIMENSIONS ARE IN mm UNLESS NOTED OTHERWISE. DO NOT SCALE DIMENSIONS.

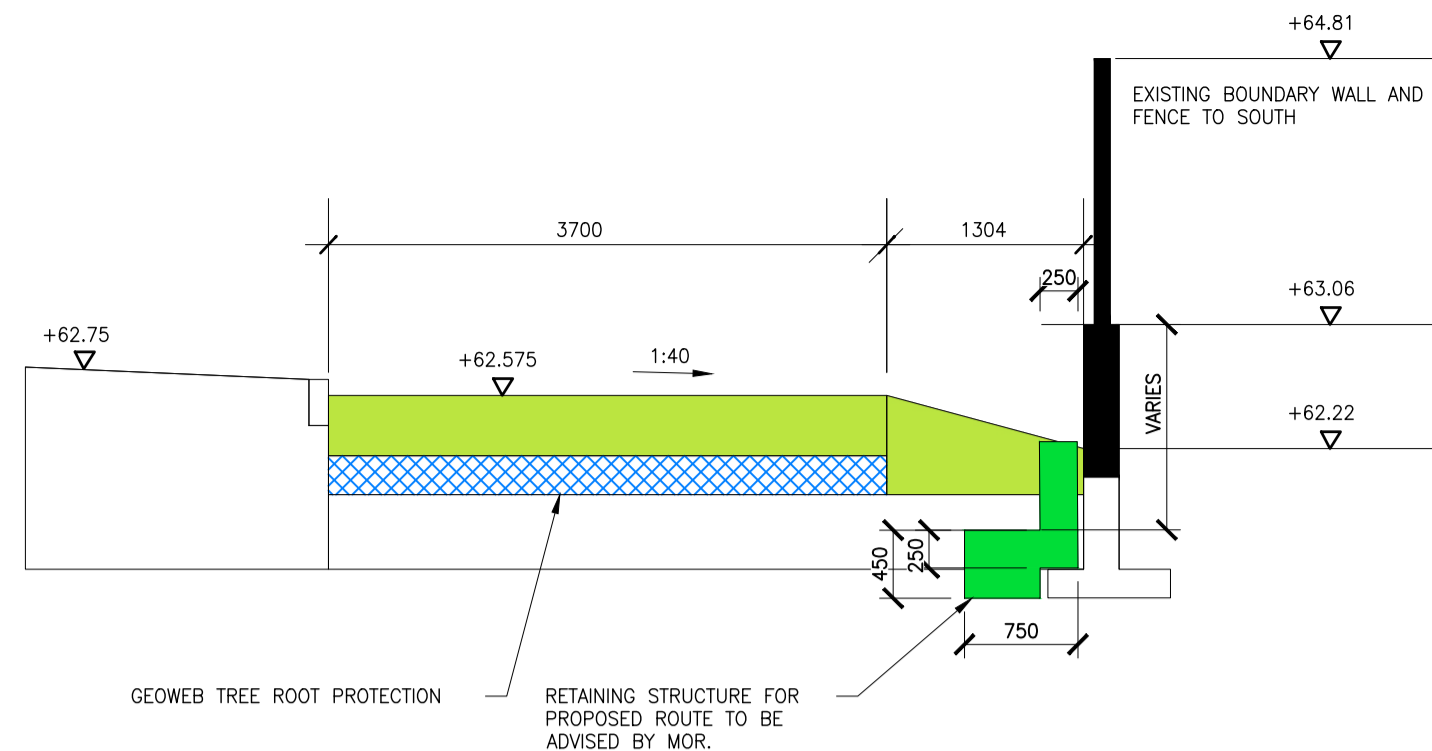
THE CONTRACTOR SHALL CHECK ALL DIMENSIONS PRIOR TO THE COMMENCEMENT OF CONSTRUCTION. ALL DISCREPANCIES SHALL BE REPORTED TO THIS OFFICE IN WRITING.

NOTES

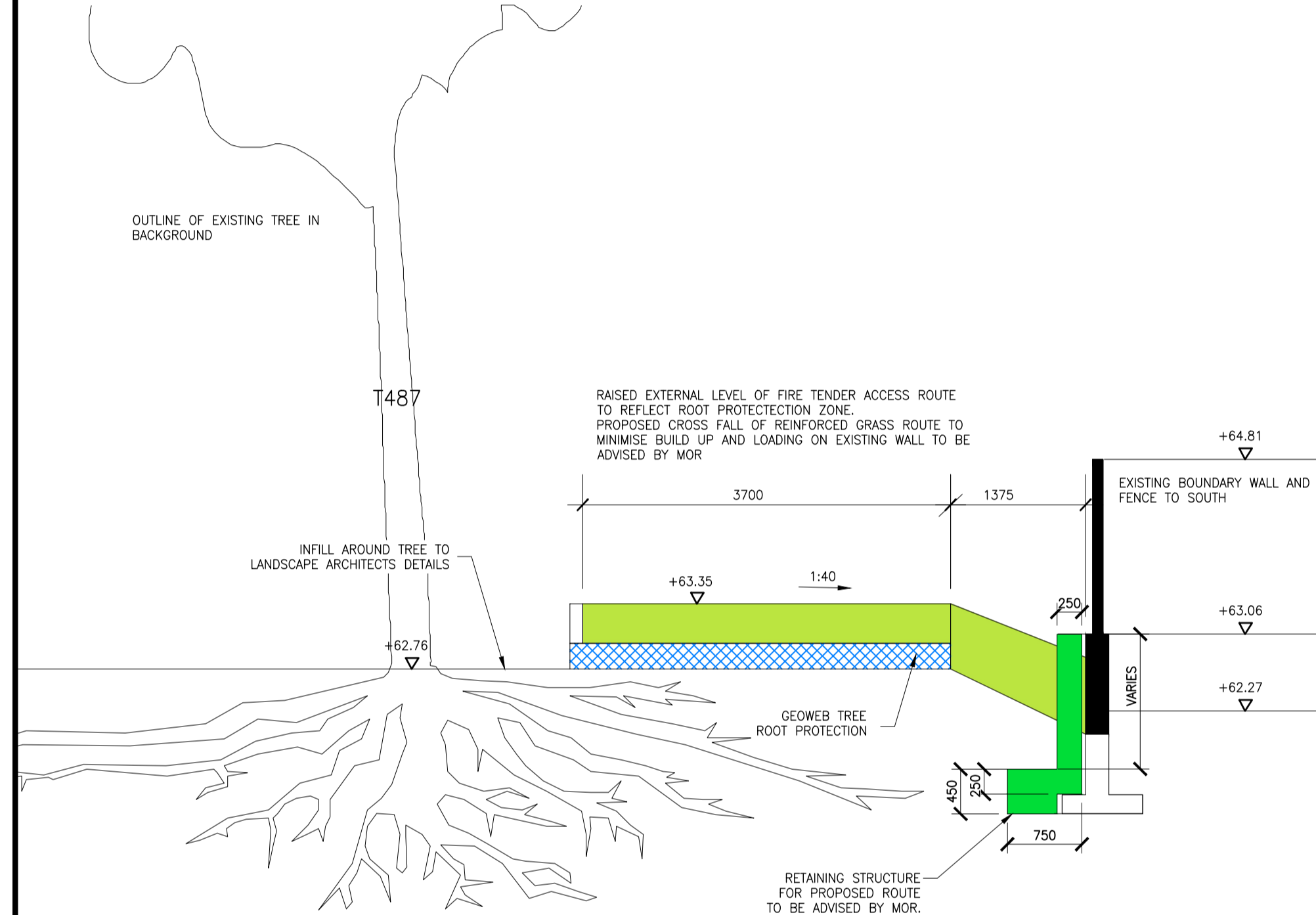
BY	DRAWING No. & REFERENCE	DATE
SURVEY		
ARCH	SHB5-CAF-DR-SHA-AR-P3-0008 R03	30.05.2024
LS ARCH	SHB5-CAF-DR-MAL-L-P1-0001-P07	28.02.2024



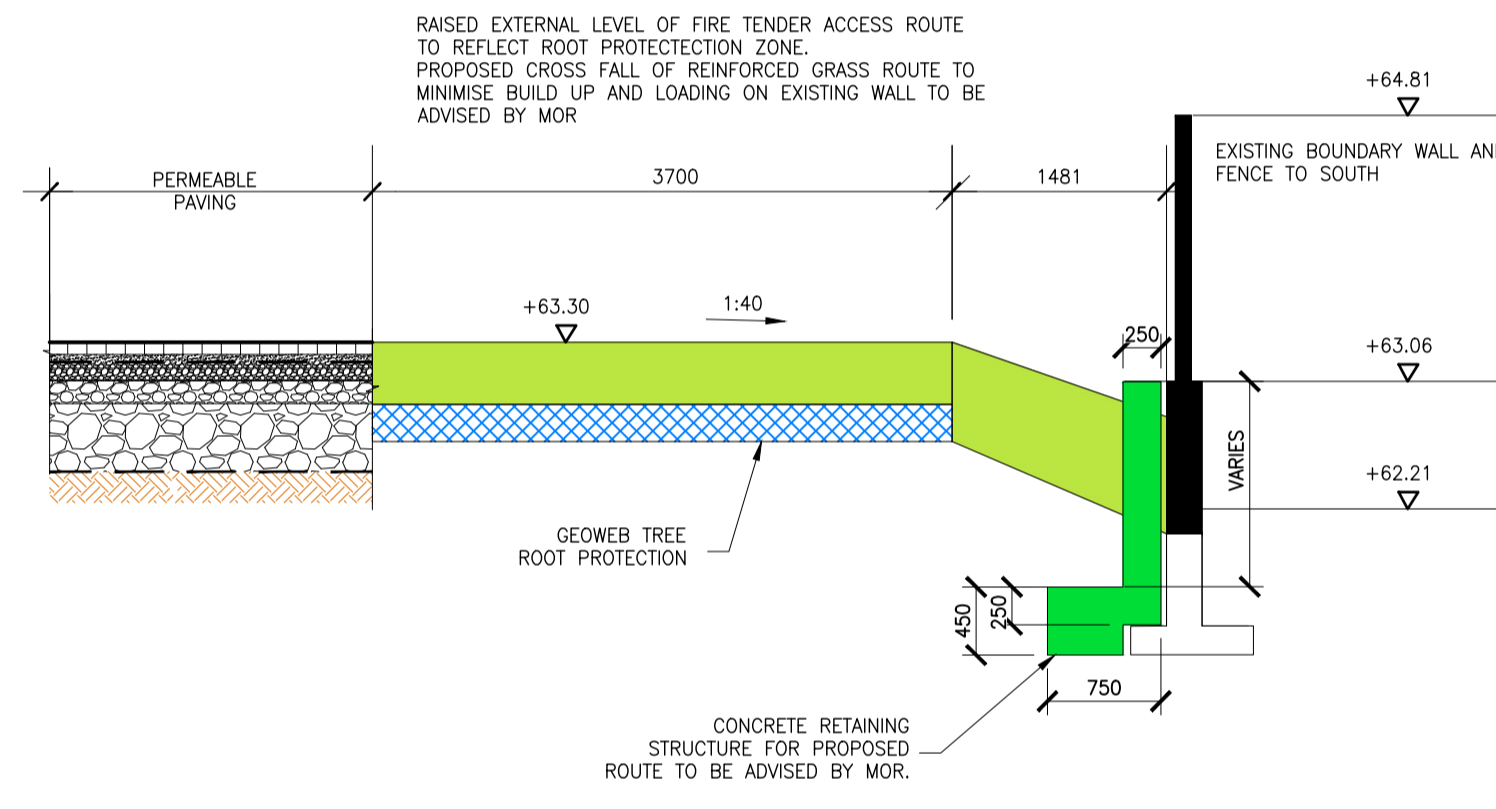
SECTION A
SCALE 1:50



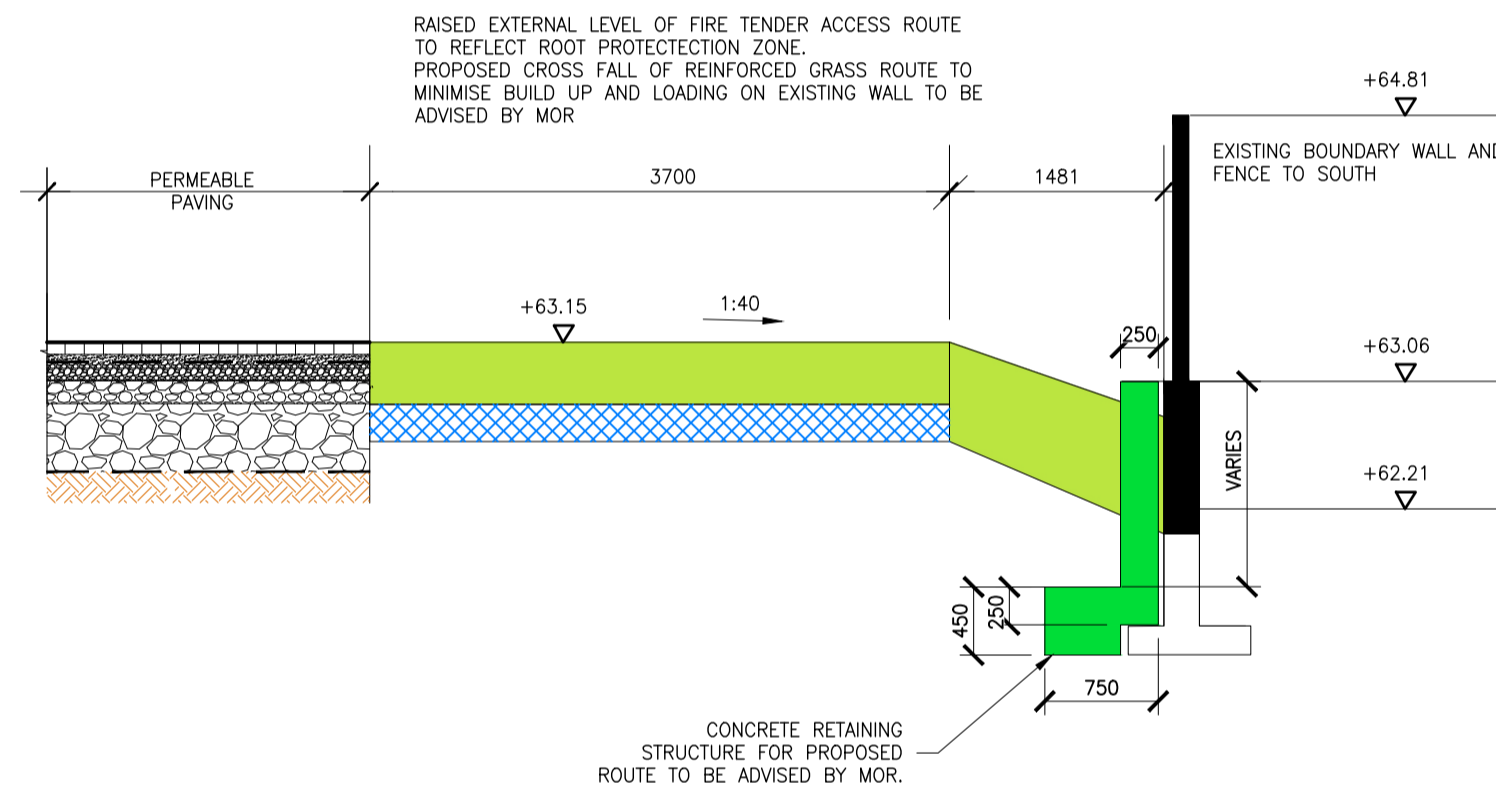
SECTION B
SCALE 1:50



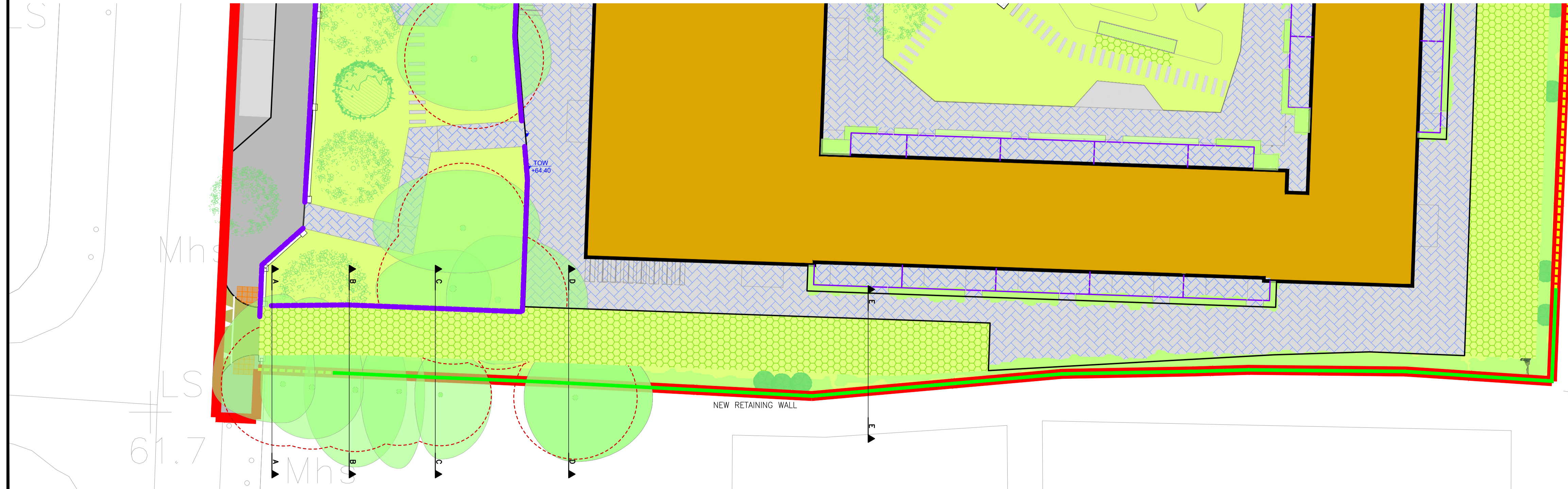
SECTION C
SCALE 1:50



SECTION D
SCALE 1:50



SECTION E
SCALE 1:50



SITE LAYOUT
SCALE 1:200

6	UPDATED ARCHITECT LAYOUT	12.06.24	DK	ND
5	REVISED AS PER NEW SITE LAYOUT	06.06.24	KA	ND
4	PEDESTRIAN CROSSING REMOVED AND EXIT JUNCTION UPDATED	12.04.24	KD	ND
3	ROAD CROSSING REMOVED AND REDLINE BOUNDARY REVISED AS PER ARCHITECT LATEST LAYOUT	26.03.24	KD	PB
2	REVISED AS PER CLOUDED	29.02.24	KA	PB
1	REVISED AS PER NEW SITE LAYOUT	28.02.24	KA	PB
0	ISSUED FOR INFORMATION	16.02.24	FM	PB
REV	DESCRIPTION	DATE	BY	CHK

STATUS: P3 - PLANNING

ADR
MALONE O'REGAN
CONSULTING ENGINEERS

Unit 2B Richview Office Park,
Clonskeagh,
DUBLIN 14
D14 XT57

T: +353 1 260 2655
E: dublin@moroe.ie
W: www.maloneoregan.ie

Offices also in:
GALWAY T: +353 91 531 069 E: galway@moroe.ie
WATERFORD T: +353 51 876 855 E: waterford@moroe.ie

CLIENT: NDFA

JOB NAME: CHURCH OF THE ANNUNCIATION

DRG. NAME: TYPICAL DETAILS RETAINING,

JOB REF	SHEET	SCALE	DATE	BY	ENG	APP	REV.
23006	A1	SHOWN	FEB'24	FM	FM	PB	6

DRG. NO.: SHB5-CAF-DR-MOR-CS-P3-152