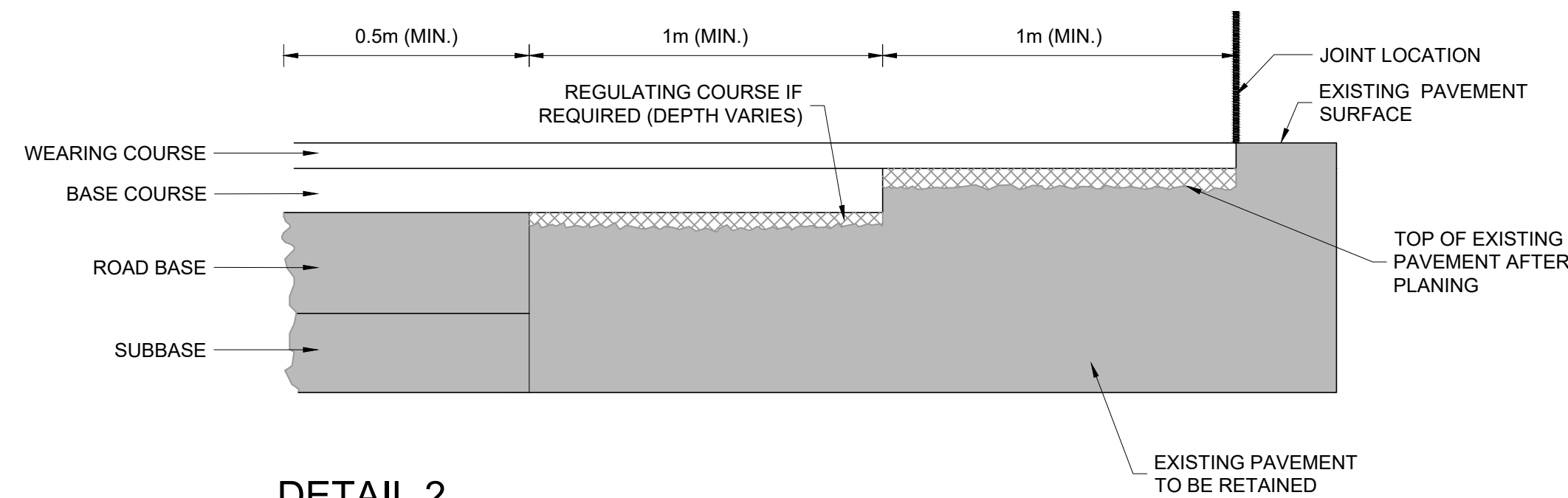
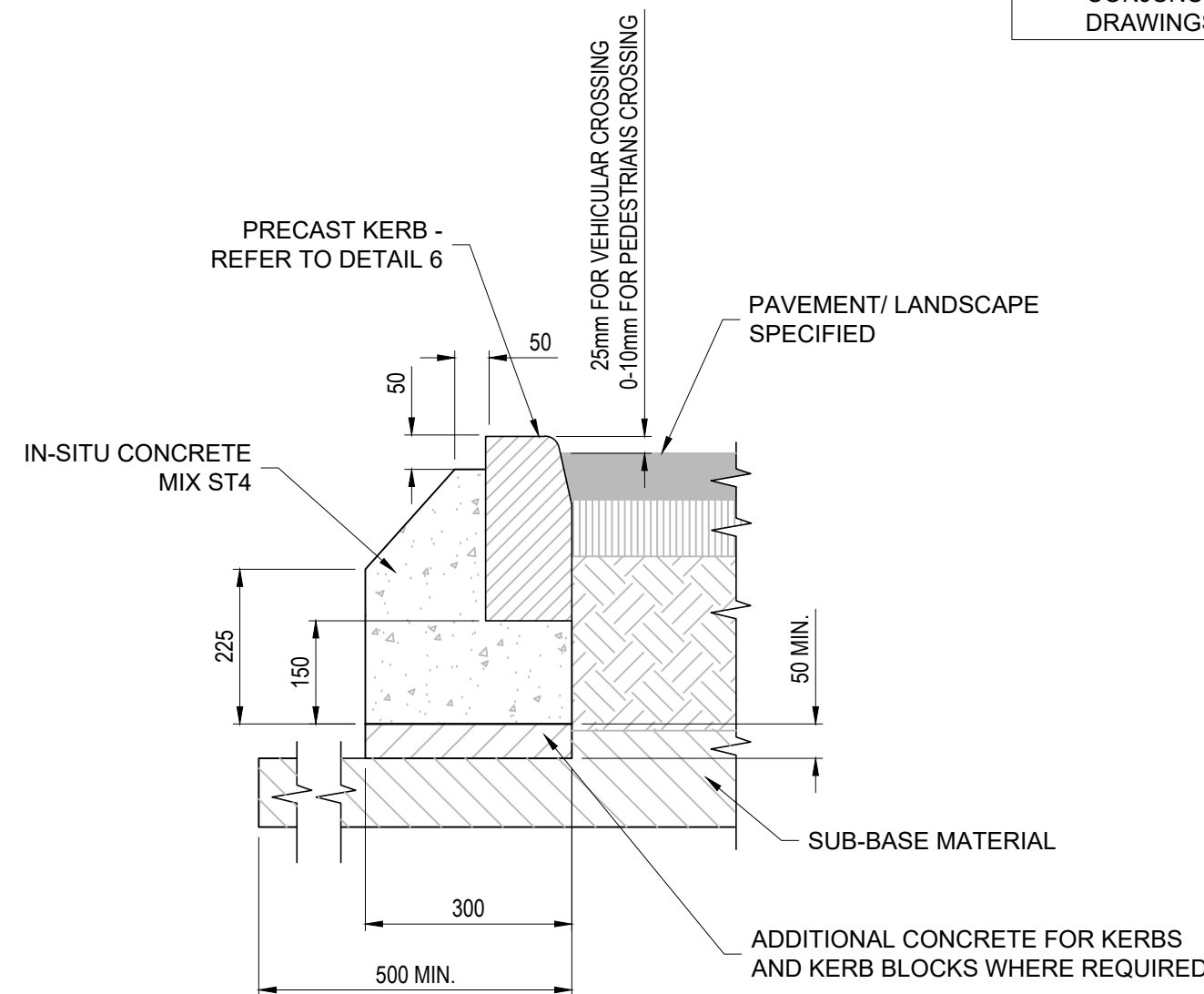


DETAIL 1
CONCRETE FOOTPATH (NOT TO SCALE)



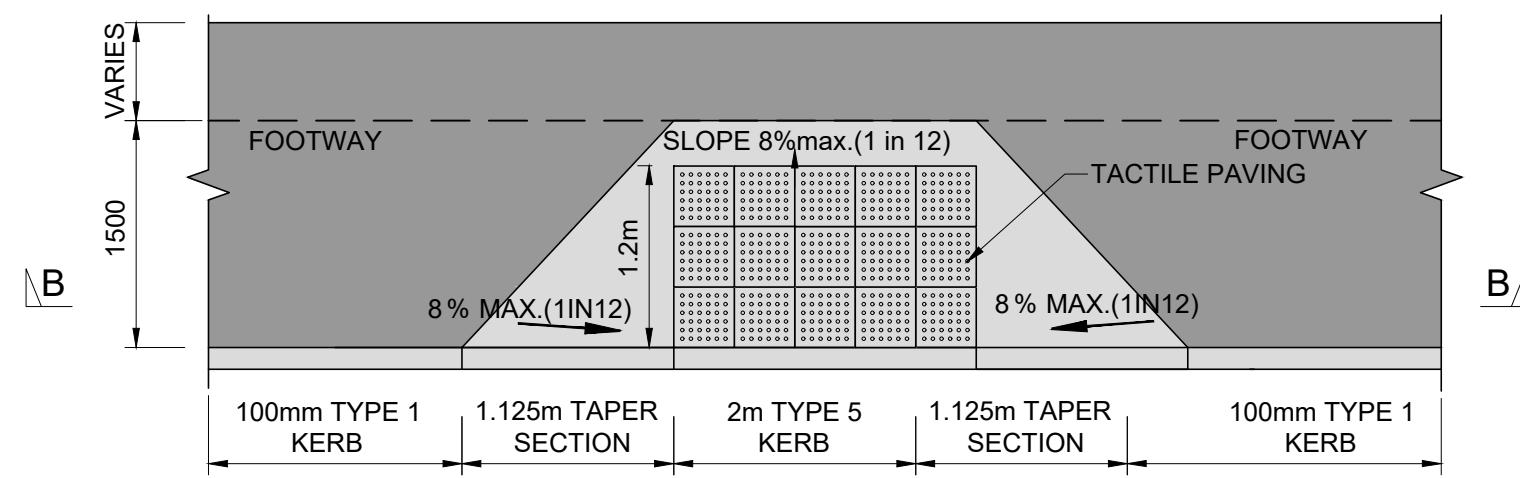
DETAIL 2
TYPICAL PAVEMENT JOINT DETAIL BETWEEN NEW CONSTRUCTION AND EXISTING ROAD (NOT TO SCALE)

- NOTES:**
- EDGES OF EXISTING CARRIAGEWAY TO BE CUT BACK WITH A ROTARY SAW TO FORM A VERTICAL FACE AND PRIMED WITH BITUMEN PAINT.
 - WHERE THE BASECOURSE IS TO BE LAID IN TWO LAYERS, THE UPPER LAYER OF BASE COURSE SHOULD BE STEPPED INTO THE EXISTING PAVEMENT BY 1M MIN. WITH THE BINDER COURSE AND SURFACE COURSE TO BE EACH STEPPED IN A FURTHER 1m MIN. RESPECTIVELY.
 - DRAWING DETAILS TO BE READ IN CONJUNCTION WITH PAVEMENT DRAWINGS, DETAILS AND APPENDIX 7/1.



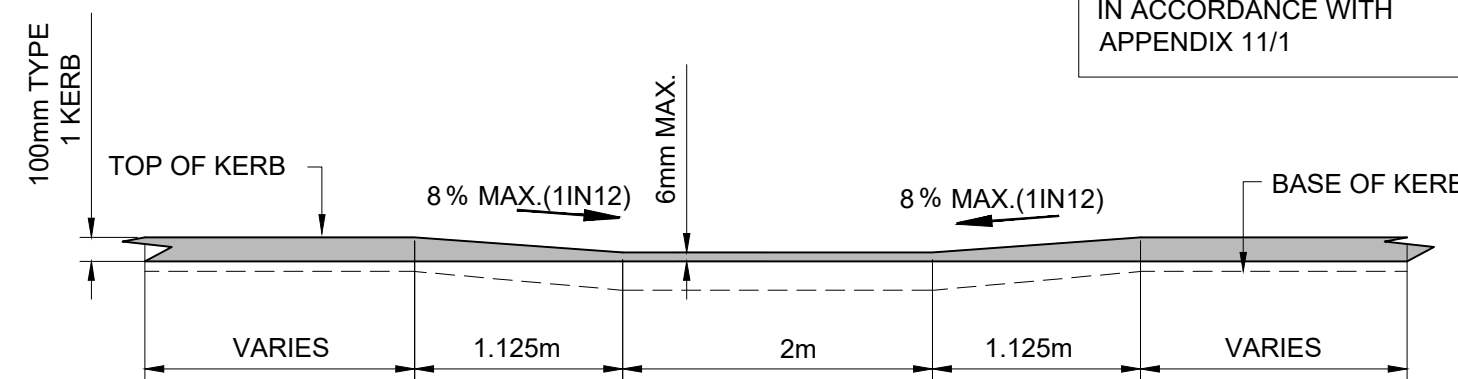
DETAIL 5 - KERB 'TYPE D'
PRECAST KERB DETAIL TO BE USED AT VEHICULAR AND PEDESTRIAN CROSSING

(NOT TO SCALE)



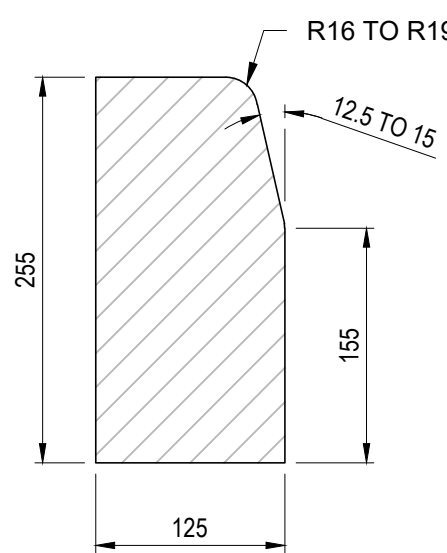
TYPICAL UNCONTROLLED PEDESTRIAN CROSSING DETAIL FLUSH KERB PLAN

NOTE:
TACTILE PAVING SHALL BE LAID IN ACCORDANCE WITH APPENDIX 11/1



TYPICAL UNCONTROLLED PEDESTRIAN CROSSING DETAIL FLUSH (DROPPED) KERB SECTION B-B

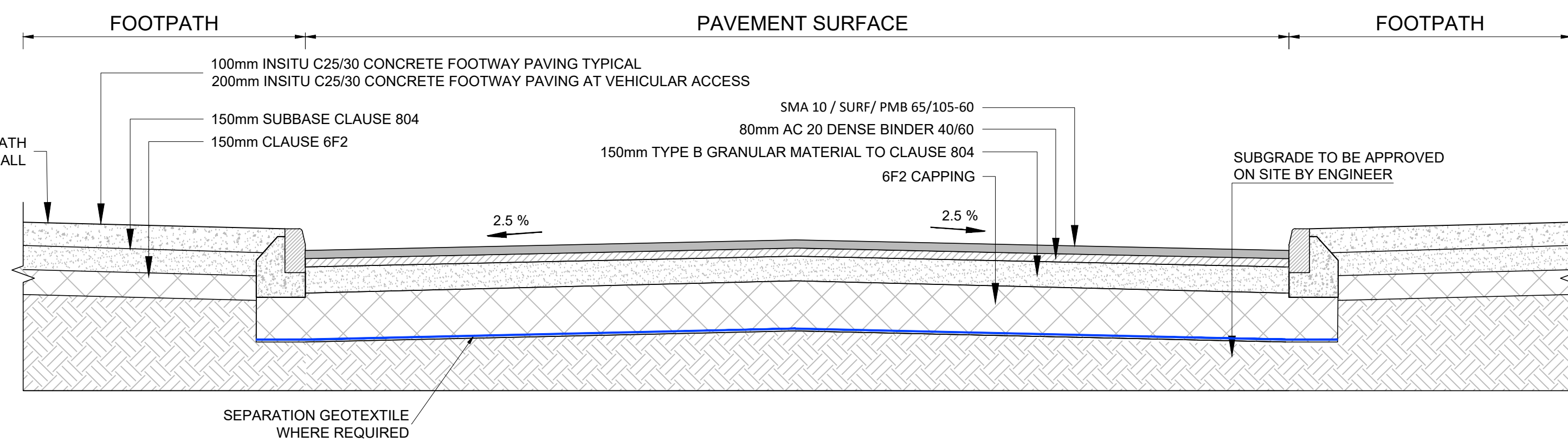
DETAIL 3 (NOT TO SCALE)



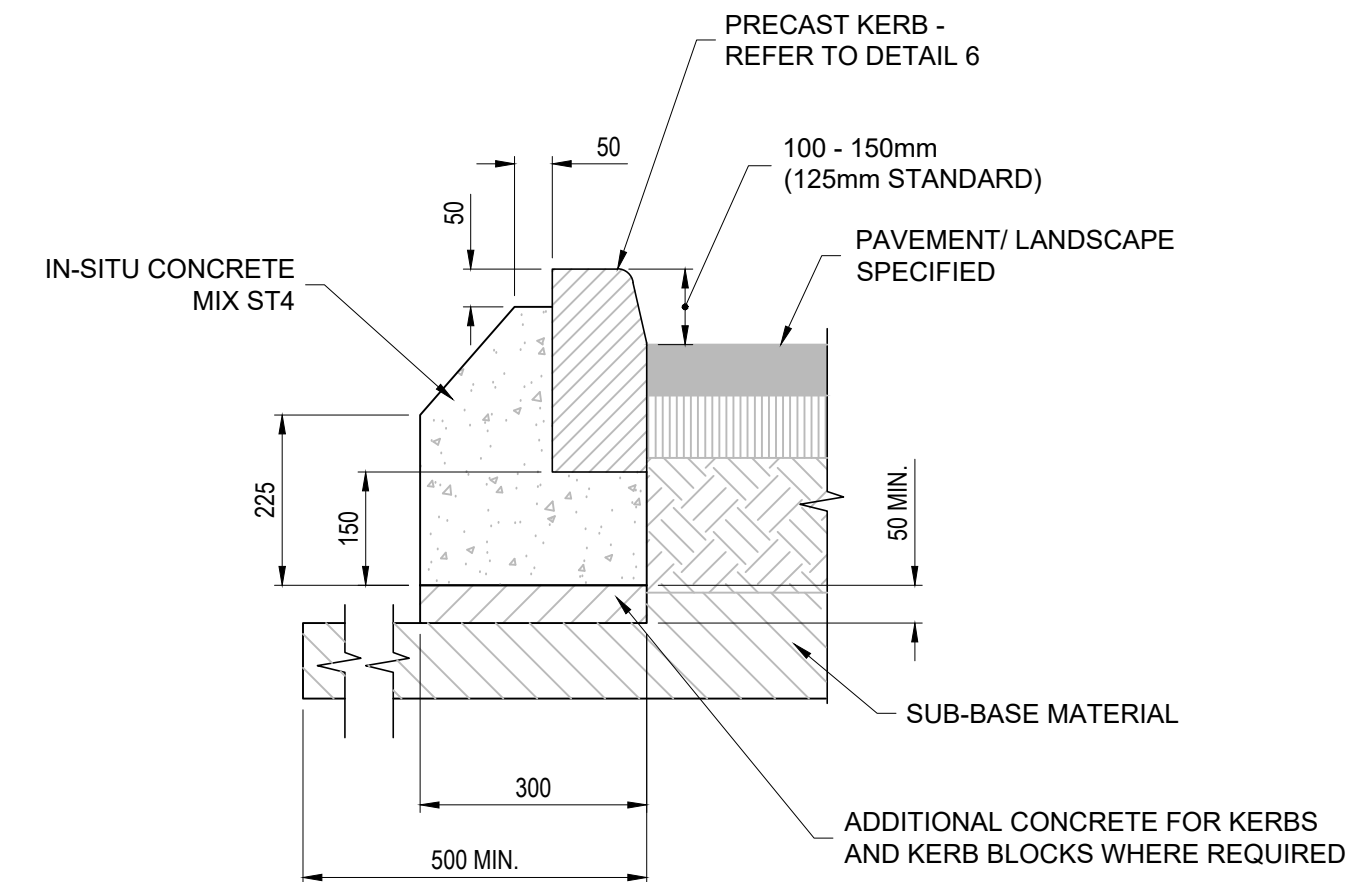
DETAIL 6 - KERB 'TYPE 2'
TYPICAL PRECAST KERB DETAIL (NOT TO SCALE)

- NOTES:**
- PRECAST KERBS SHALL BE LAID AND LEVELLED IN ACCORDANCE WITH B.S. 7533: PART 4.
 - A RAISED LIP OF 10mm SHOULD BE USED FOR PEDESTRIAN CROSSINGS.
 - A RAISED LIP OF 25mm SHOULD BE USED FOR VEHICULAR CROSSINGS.
 - PRECAST CONCRETE KERB UNITS SHALL COMPLY WITH IS EN 1340

NOTE: PROVIDE FOOTPATH PAVING JOINTS @ 3m C/C MAX. EACH JOINT TO INCLUDE A DOUBLE LAYER OF BITUMINOUS ROOFING FELT COMPLYING WITH IS 36 OR SIMILAR APPROVED MATERIAL FOR THE FULL DEPTH OF JOINT. ALTERNATIVELY SAW CUT JOINTS TO BE FORMED AS SOON AS POSSIBLE AFTER THE CONCRETE HAS HARDENED



DETAIL 7
TYPICAL ROAD PAVEMENT BUILD UP (NOT TO SCALE)



DETAIL 4 - KERB 'TYPE A'
TYPICAL PRECAST KERB & HAUNCH DETAIL (NOT TO SCALE)

- General Notes:**
- Hard copies, dwf and pdf will form a controlled issue of the drawing. All other formats (dwg etc.) are deemed to be an uncontrolled issue and any work carried out based on these files is at the recipient's own risk. RPS will not accept any responsibility for any errors from the use of these files, either by human error by the recipient, listing of the un-dimensioned measurements, compatibility with the recipient's software, and any errors arising when these files are used to aid the recipient's drawing production, or setting out on site. DO NOT SCALE, use figured dimensions only.
 - This drawing is the property of RPS, it is a project confidential classified document. It must not be copied used or its contents divulged without prior written consent. The needs and expectations of client and RPS must be considered when working with this drawing.
 - Information including topographical survey, geotechnical investigation and utility detail used in the design have been provided by others.
 - All Levels refer to Ordnance Survey Datum, Malin Head.
- Pavement Specification:**
- Surface Course - Section 5 of Series 900 - SMA 10 / Surf/ PMB 65/105-60 - 50mm.
 - Binder Course - Section 3 of Series 900 - AC 20 dense bin 40/60 - 80mm.
 - Sub-base - 804 - Granular Material Type B - 150mm.
 - Capping - 6F2 - 450mm (600mm if CBR<4% 300mm Min if CBR>4%).
- General Notes:**
- Precast concrete kerbs to be as detailed to CC-SCD-01101 (RCD/1100/1).
 - Dropped kerbs at pedestrian crossings and pedestrian accesses are to be provided. At pedestrian crossings, the kerbs at ditched crossing points are to be laid flush to the carriageway, or to a maximum upstand of 10mm.
 - At crossings at the entry ramps, the crossing is to ramp down to the entry ramp level and be flush with the level of the entry ramp.
 - Where the provision of kerbing starts or terminates along the road, the kerbing shall be ramped up to the required height at a desirable slope of 1:20, or a maximum slope of 1:12.
 - Concrete at footways shall be in accordance with Clause 1106 of TII Specification for Roadworks Series 1100, CC-SPW-01100. Concrete footways to receive a non-skid brush finish to the surface.
 - The provision of tactile paving shall be buff coloured at uncontrolled crossing points as per requirements of the Traffic Management Guidelines.
 - The dimples on the tactile paving units shall be aligned so as to guide visually impaired pedestrians directly across to the other side of the road, where the corresponding crossing point is located.
 - All traffic signage and line marking shall be in accordance with the Traffic Signs Manual.
 - Cycle lane design and layout shall be in accordance with the National Cycle Manual.
 - All infrastructure to be taken in charge by Road Maintenance Services shall be constructed to the Construction Standards for Road and Street Works in Dublin City Council.

Rev	Date	Dim. Chk	Amendment / Issue	App
P03	07.03.22	OS PMB	Issue for Part 8 Planning	DT
P02	04.02.22	OS PMB	Issue for review	DT
P01	16.12.21	OS DK	Issue for review	DT

Client

Comhairle Cathrach
Bhaile Átha Cliath
Dublin City Council

Lyrr 2, IDA Business & Technology Park, Mervue, Galway
T +353 91 400200
W www.rpsgroup.com/ireland
E ireland@rpsgroup.com

Project
PPP SOCIAL HOUSING BUNDLE 3 SHANGAN RD., BALLYMUN, DUBLIN 9

Title
Road Construction Details

Model File Identifier
SHB3-BAL-CS-RPS-DR-KP002

File Identifier
SHB3-BAL-CS-RPS-DR-KP002-01

Created on
Sep. 2021

Sheets
01 OF 01

Scale
NTS @ A1
NTS @ A3

Status
S4

Rev
P03