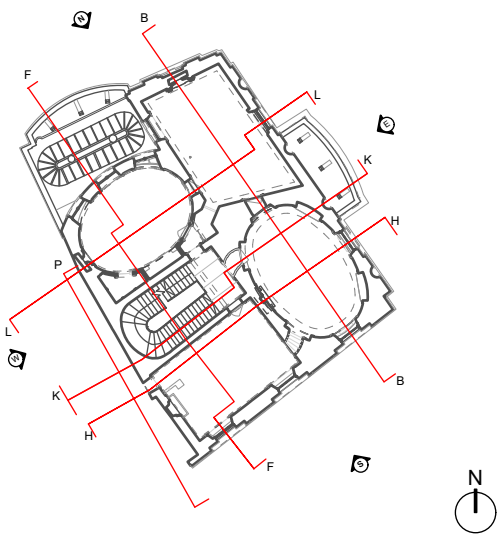
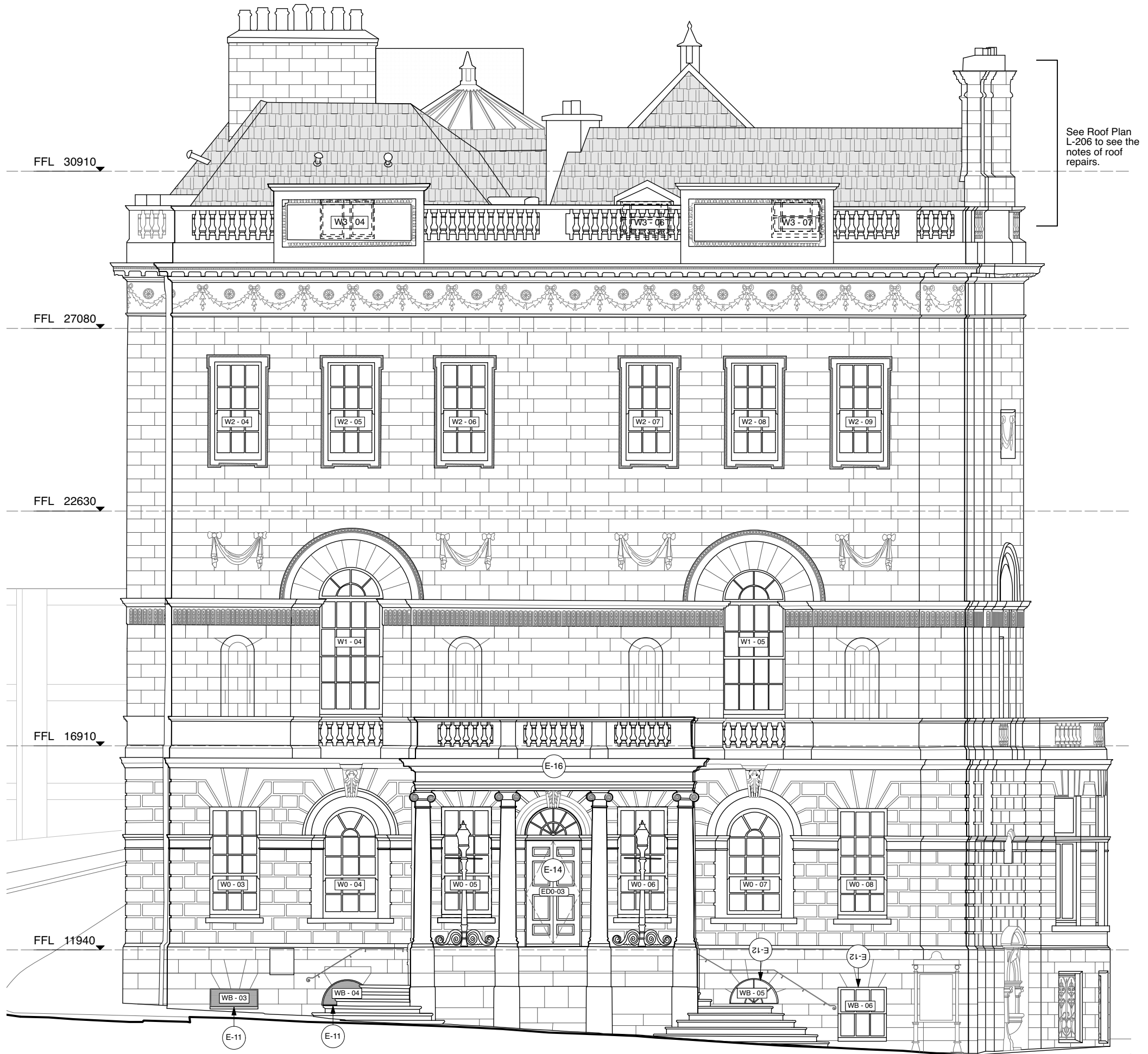


NOTES

- E- 10** New steel frame stair core with steel stairs including a lift shaft enclosed in a stainless steel mesh open air core.
- E- 11** New metal grills / louvres in existing window openings.
- E- 12** New timber window
- E- 13** New accessible sloped surface entrance to Castle street, with new handrail to steps.
- E- 14** New door, Refer to photographic report and design statement for details
- E- 15** New timber AOV window in dormer window opening.
- E- 16** Uplighting to be installed on porch roof, discrete in size and shape and not visible from the street



KEY PLAN



Use figured dimensions only. Do not scale drawings. Check all dimensions on site. Read in conjunction with specification and consultants drawings. Report any discrepancies to the Architects before putting work in hand. Copyright of this drawing is vested in the Architects and may not be reproduced, in whole or part, without prior consent.

GENERAL NOTES

- Refer to design statement for further information on the repair and conservation of existing fabric.
- Refer to photographic survey for further information on the condition of the building. (Appendix A in the design statement.)
- All existing doors and architraves to be retained and refurbished unless otherwise noted.
- All existing windows along with window frames, architraves, shutters, panning and associated joinery to be retained and refurbished in-situ unless otherwise noted.

Rev.	Date	Description	Drn.	Chk.
/	21.06.23	Issue for planning review	AS	ALO

Project
Newcomen Bank Building
16 Castle Street, Dublin 2

Client
Dublin City Council

Drawing
Proposed East Elevation

Project Stage	Date	Scale	Project No.	Drawing No.	Revision
Planning	21.06.2023	1:100@A3	0569	L-221	-

Howley Hayes Cooney
ARCHITECTURE
19 Rock Hill, Blackrock, Dublin, A94 D235
01 278 4644
hharchitecture.ie