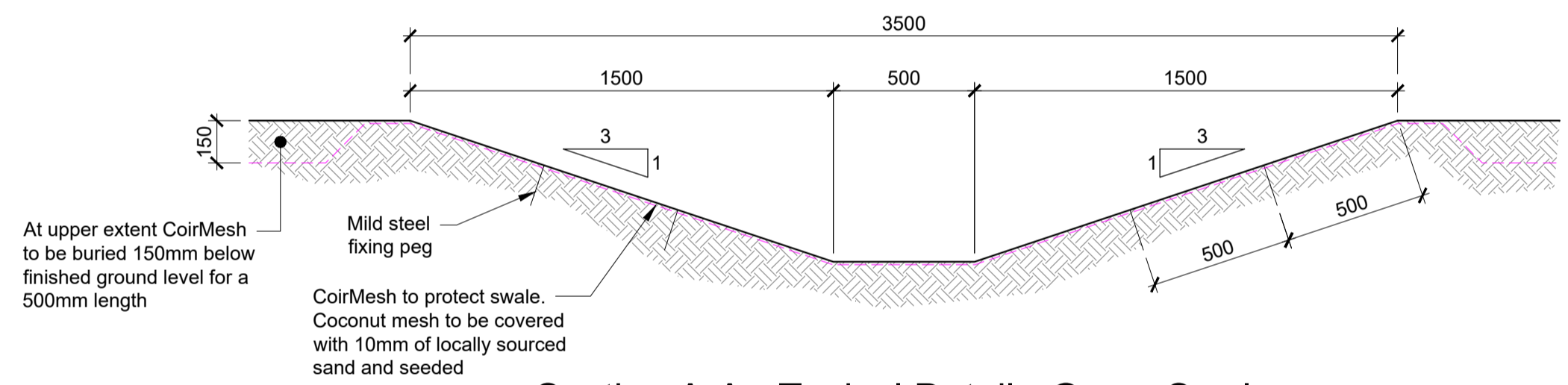
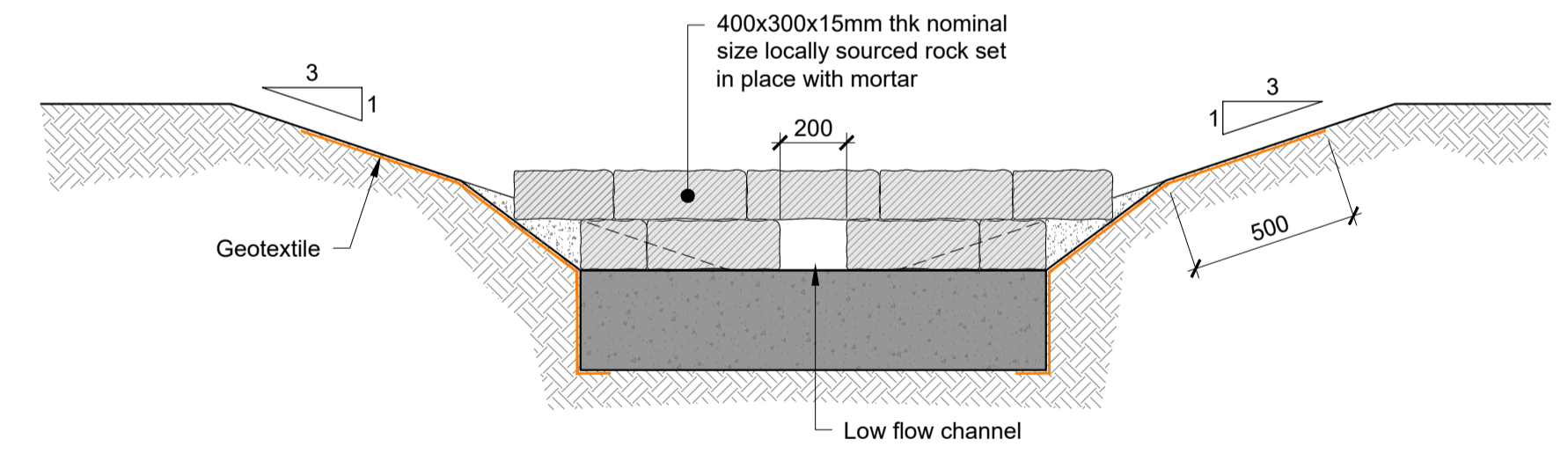


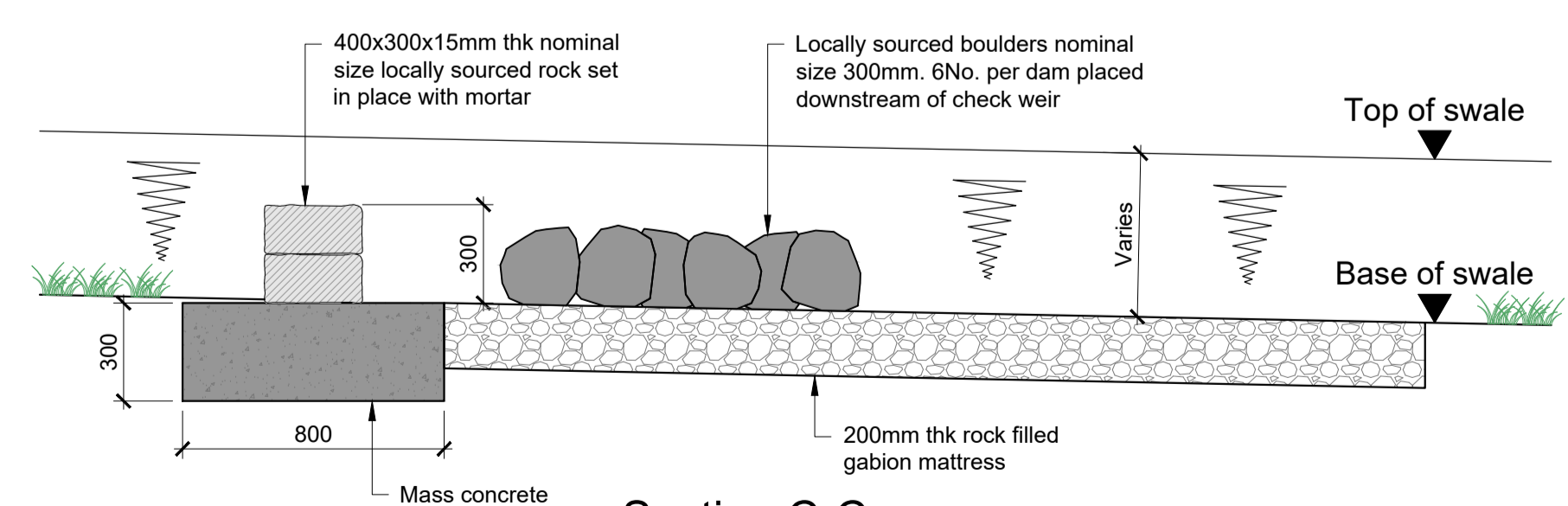
**Check Dam - Plan**  
Scale 1:20



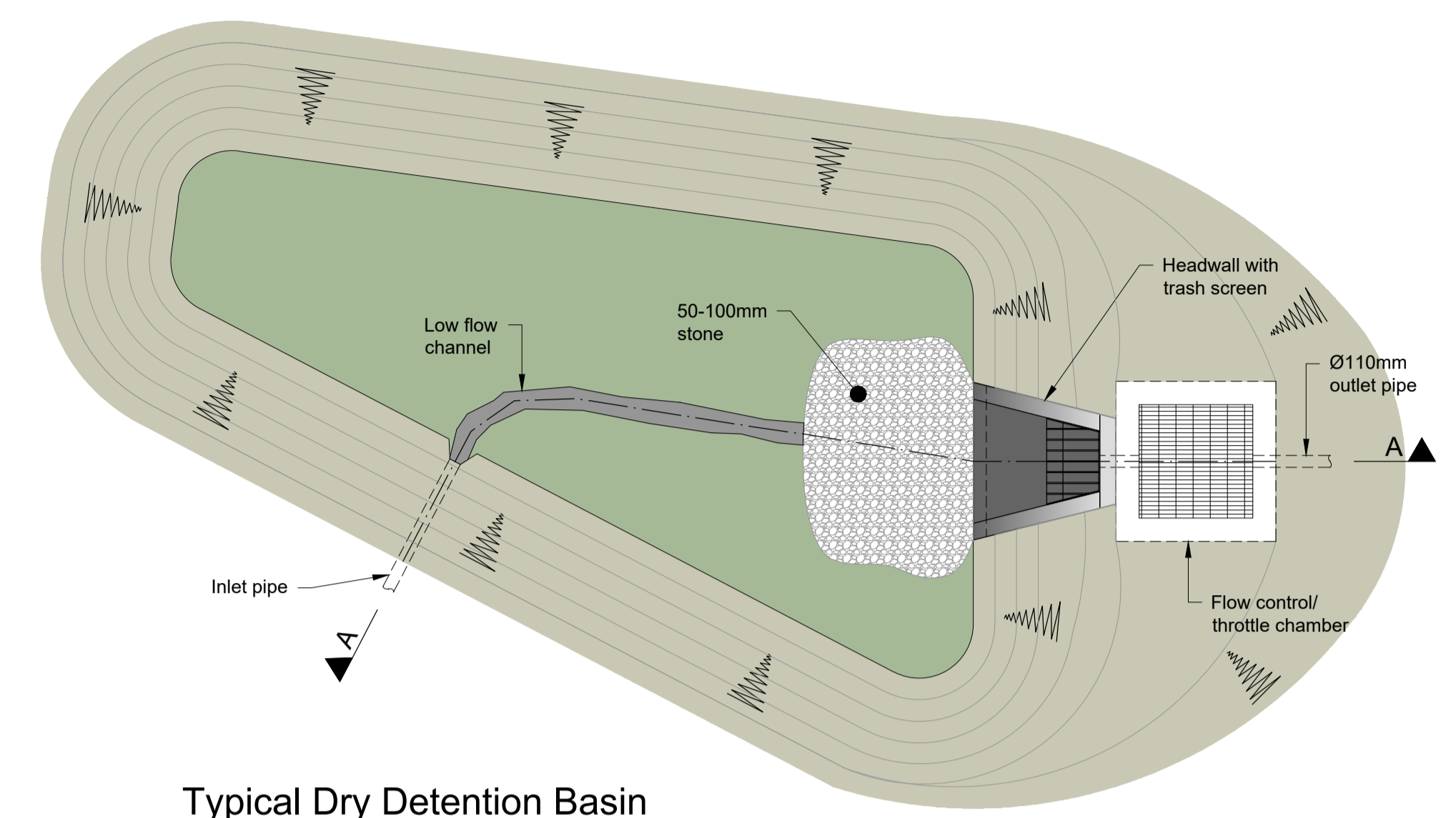
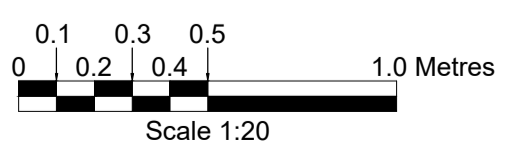
**Section A-A - Typical Detail - Grass Swale**  
Scale 1:20



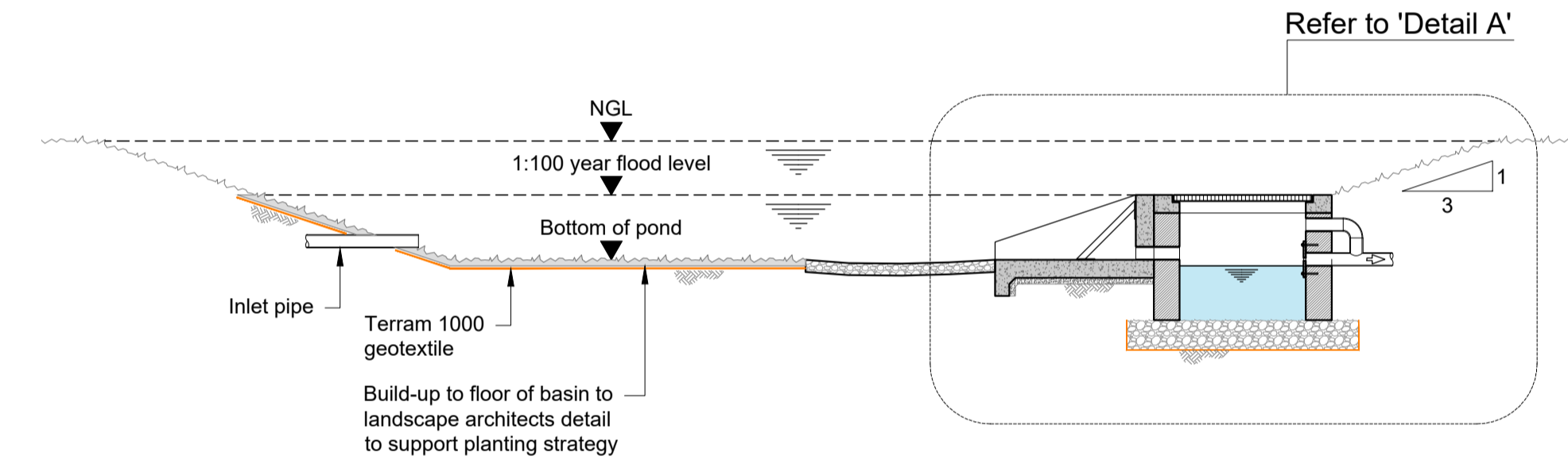
**Section B-B - Swale Check Dam**  
Scale 1:20



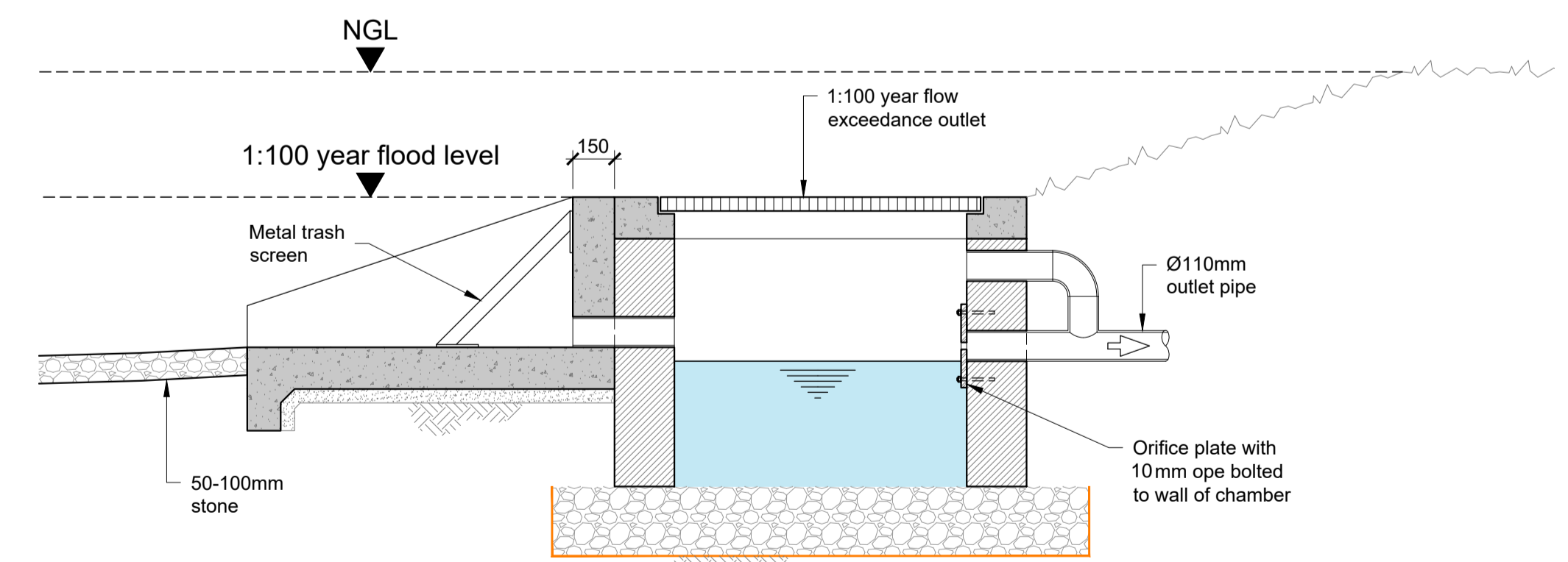
**Section C-C**  
Scale 1:20



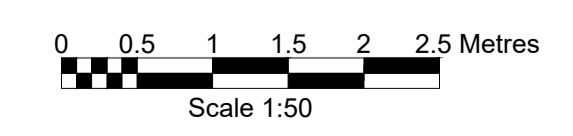
**Typical Dry Detention Basin**  
Scale 1:50



**Typical Dry Detention Basin**  
Scale 1:50



**Outlet Detail - Detail A**  
Scale 1:20



C01	11/11/22	NK	AM	GS
Issued for Planning (Status S4)				
Rev	Date	By	Chkd	Appd

**ARUP**

Arup, 50 Ringsend Road  
Dublin, D04 T6X0  
www.arup.ie  
Tel +353(0)1 233 4455 Fax +353(0)1 668 3169

Client  
**Dublin City Council**

Project Title  
**Constitution Hill Renewal**

Drawing Title  
**SuDS Standard Details  
Sheet 3 of 3**

Scale at A1  
1:20

Role  
Civil Infrastructure

Suitability  
Status S4 - Issued for Planning

Arup Job No  
**281677-00**

Rev  
**C01**

Name  
**CONHIL-ARUP-XX-00-DR-C-2107**